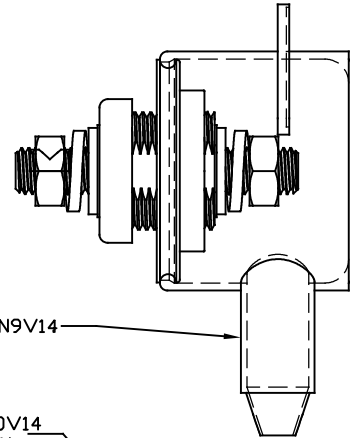
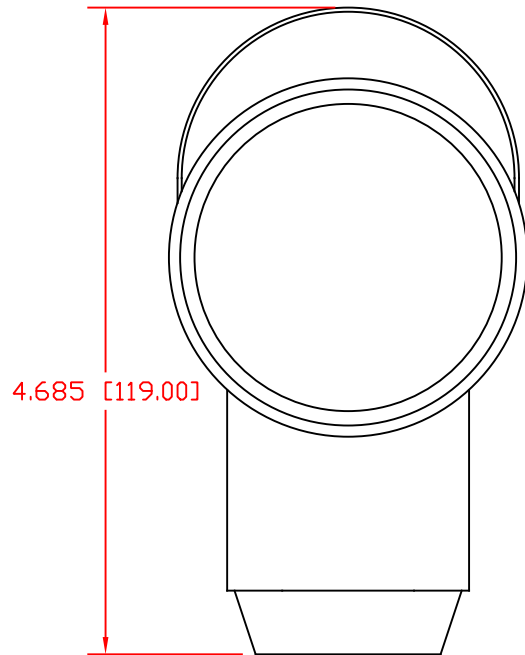
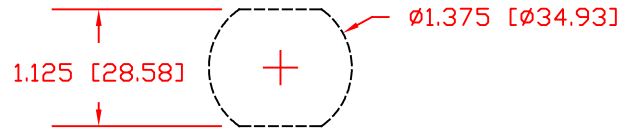


THE INFORMATION CONTAINED IN THIS DRAWING IS THE SOLE PROPERTY OF VTE INCORPORATED. ANY REPRODUCTION IN PART OR WHOLE WITHOUT THE WRITTEN PERMISSION OF VTE INCORPORATED IS PROHIBITED. VTE MAKES NO WARRANTY, EXPRESSED OR IMPLIED, AS TO THE SUITABILITY OF A PRODUCT FOR ANY INTENDED USE. THE CUSTOMER SHALL BEAR THE SOLE RESPONSIBILITY OF DETERMINING THE SUITABILITY OF ANY VTE PRODUCT FOR ITS END USE.

LTR.	REVISIONS	DATE	INT.
	PRELIMINARY DRAWING FOR APPROVAL	11-17-20	EJE

USE GREENLEE PUNCH
ASSEMBLY #60098
FOR PANEL CUTOUT

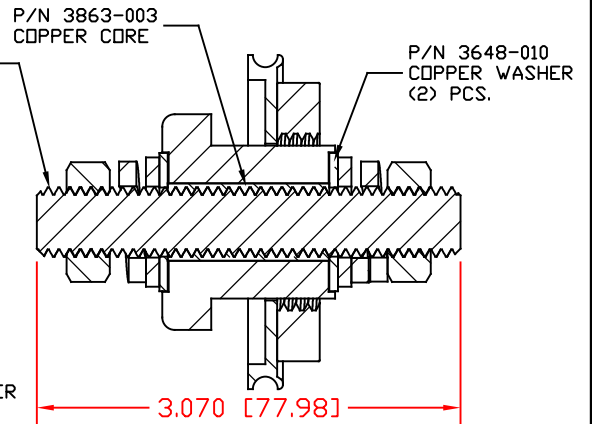
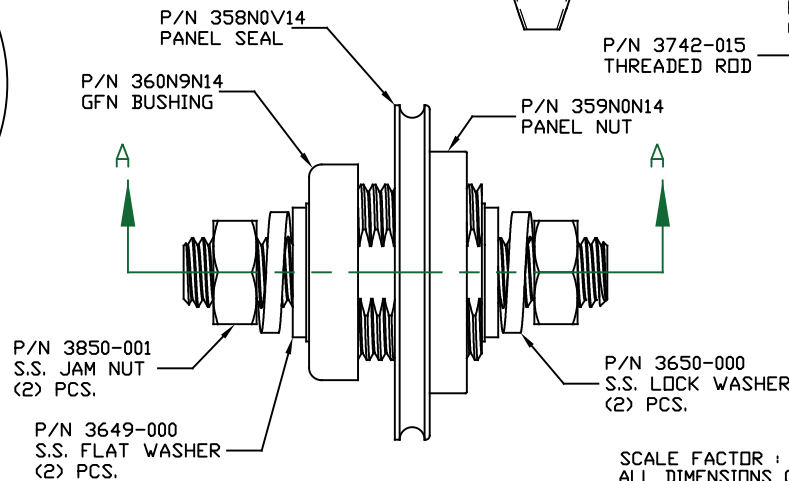


ASSEMBLY CCB506N14 W
CONSISTS OF:

1 - CCB506N14
POWER BUSHING

1 - 258N9V14
INSULATOR BOOT

1 - 358N0N14
PANEL SEAL



SECTION A-A

SCALE FACTOR : NONE
ALL DIMENSIONS GIVEN AS: in [mm]
TOLERANCES UNLESS OTHERWISE SPECIFIED :
MOLDED PARTS: ±.030" [±0.8mm]
HARDWARE ITEMS: ±.010" [±0.25mm]

MAXIMUM FASTENER TORQUES:

JAM NUTS: 198 IN-LBS [22.30 Nm]

SEALING NUT: 120 IN-LBS [13.56 Nm]

CURRENT CARRYING CAPACITY:

DUTY CYCLE: 80%

CURRENT CAPACITY: 5.2 Kw (440 AMP @ 12VDC)

TEMPORARY MAX (12 MINUTES): 6.6 Kw (550 AMP @ 12VDC)

MATERIAL PART NO:

1111210514UL

MATERIAL:

GLASS FILLED NYLON

VENDOR PART NO:

HYLON N2015 HL BK

SPECIFIC GRAVITY:


1.23

MELTING TEMP:

515 F [268 C]

U.L. RATING:

UL 94 HB

		VTE Incorporated 5437 Robinson Road, P.O. Box 790 Pellston, Michigan 49769 Telephone: 1-800-527-9256, 231-539-8000 FAX: 231-539-0914		
		REF:	DATE:	DRN BY: EJE
		11-17-2020	CHK'D BY: PJK	
TITLE: 1/2" POWER BUSHING, COPPER CORE, WEATHERPROOF				
MATERIAL: GLASS FILLED NYLON		PART NO.		
COLOR: BLACK		CCB506 N14 W		
DRG CLASS PRELIM				