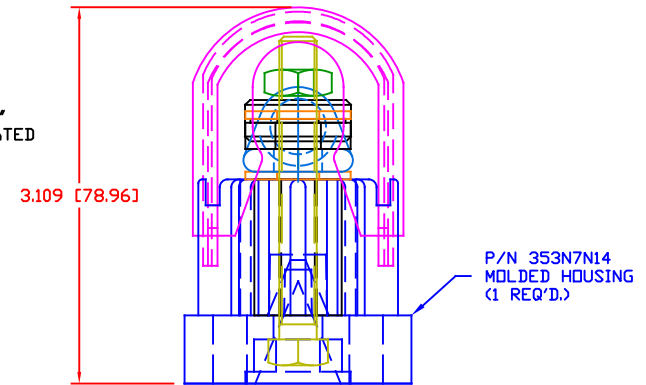
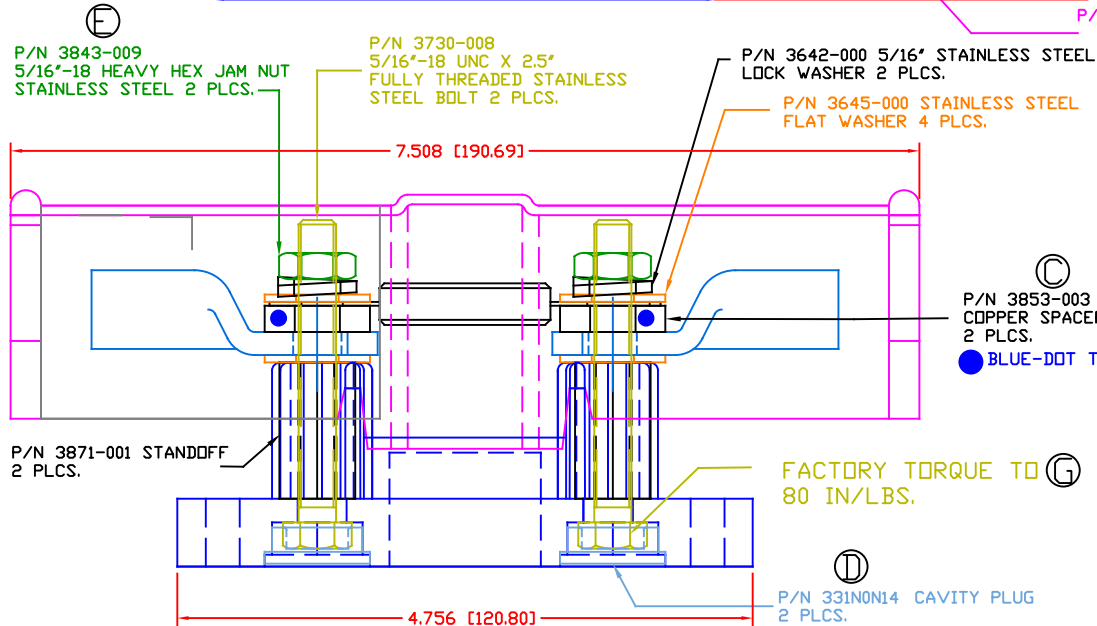
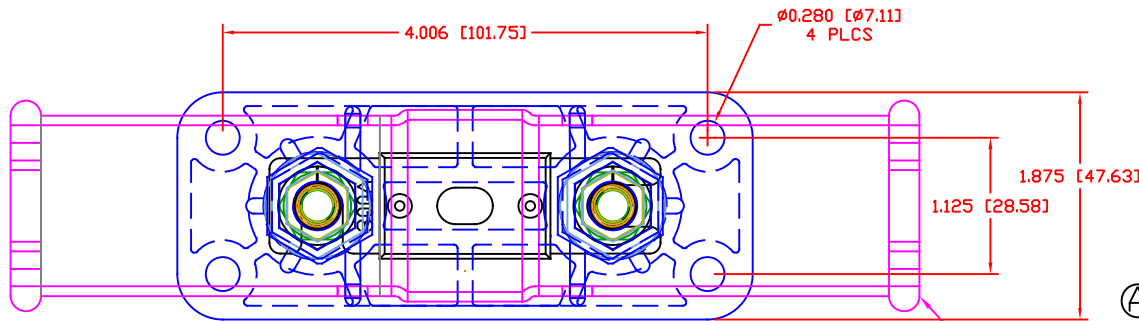


THE INFORMATION CONTAINED IN THIS DRAWING IS THE SOLE PROPERTY OF VTE INCORPORATED. ANY REPRODUCTION IN PART OR WHOLE WITHOUT THE WRITTEN PERMISSION OF VTE INCORPORATED IS PROHIBITED. VTE MAKES NO WARRANTY, EXPRESSED OR IMPLIED, AS TO THE SUITABILITY OF A PRODUCT FOR ANY INTENDED USE. THE CUSTOMER SHALL BEAR THE SOLE RESPONSIBILITY OF DETERMINING THE SUITABILITY OF ANY VTE PRODUCT FOR ITS END USE.

LTR.	REVISIONS	DATE	INT.
A	751N9V00 WAS 351N9V00	4-23-13	BRH
B	751N9P00 WAS 751N9V00	7-30-15	BRH
C	3853-003 WAS 3853-210	8-02-16	RAS
D	331N0N** WAS 331N0V**	8-02-16	MDL
E	REPLACED P/N 3843-001 WITH P/N 3843-009	1-16-17	RAS
F	ADDED ADDITIONAL INFORMATION FOR PROPER USE	2-19-18	RAS
G	ADDED FACTORY TORQUE SPEC 3730-008	7-09-24	RAS



SCALE FACTOR : NONE
 ALL DIMENSIONS GIVEN AS: in [mm]
 TOLERANCES UNLESS OTHERWISE SPECIFIED :
 MOLDED PARTS: ± 0.30 " [± 0.8 mm]
 HARDWARE ITEMS: ± 0.10 " [± 0.25 mm]

MAXIMUM AMPERAGE: 750 AMPS @ 12VDC
 MAXIMUM VOLTAGE: 32VDC

MAXIMUM RECOMMENDED FASTENER TORQUE: ϕ
 STAINLESS HEAVY HEX JAM NUT: 144 IN./LBS. [16.2 Nm]

MATERIAL PART NO: 111210514UL
 MATERIAL: GLASS FILLED NYLON
 VENDOR PART NO: HYLON N2015 HL BK
 SPECIFIC GRAVITY: 1.23
 MELTING TEMP: 515 F [268 C]
 U.L. RATING: UL 94 HB

COVER MATERIAL: CLEAR POLYPROPYLENE
 INCLUDES P-16808110001 BLUE DOT MULTI LABEL, 1 PER CONTAINER
 FUSE AND LUG TERMINALS ARE NOT INCLUDED, (SHOWN FOR REFERENCE ONLY)

VTE Incorporated
 5437 Robinson Road, P.O. Box 790
 Pellston, Michigan 49769
 Telephone: 1-800-527-9256, 231-539-8000
 FAX: 231-539-0914

REF: CUSTOMER DIMS	DATE: 4-20-07	DRN BY: BRH	WEIGHT:
		CHK'D BY: BRH	
TITLE: FUSE HOLDER, HIGH AMP ANL 5/16" STUDS			
MATERIAL: GLASS FILLED NYLON		PART NO.	
COLOR: BLACK	DRG CLASS: REV G	ANB753N7N14	