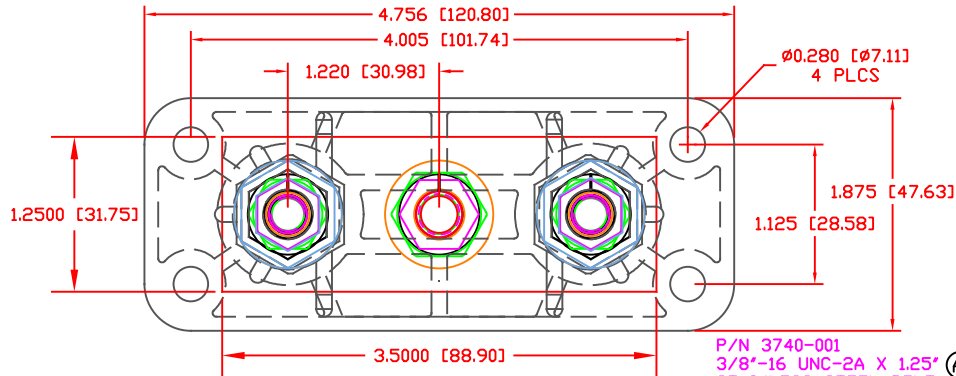


THE INFORMATION CONTAINED IN THIS DRAWING IS THE SOLE PROPERTY OF VTE INCORPORATED. ANY REPRODUCTION IN PART OR WHOLE WITHOUT THE WRITTEN PERMISSION OF VTE INCORPORATED IS PROHIBITED. VTE MAKES NO WARRANTY, EXPRESSED OR IMPLIED, AS TO THE SUITABILITY OF A PRODUCT FOR ANY INTENDED USE. THE CUSTOMER SHALL BEAR THE SOLE RESPONSIBILITY OF DETERMINING THE SUITABILITY OF ANY VTE PRODUCT FOR ITS END USE.

LTR.	REVISIONS	DATE	INT
A	3740-001 WAS 3740-006	04-14-08	BRH
B	PN 331NOV** CHANGED TO PN 331NON**	08-05-16	MDL
C	3844-012 WAS 3844-003	11-01-16	JMM
D	REPLACED P/N 3843-001 WITH P/N 3843-009	01-16-17	RAS
E	REMOVED BOTTOM LOCKWASHER	04-02-24	RAS
F	ADDED FACTORY TORQUE SPEC TO 3740-001	05-23-24	RAS
G	ADDED FACTORY TORQUE SPEC TO 3730-008	7-09-24	RAS



P/N 3646-000
18-8 STAINLESS STEEL
FLAT WASHER

P/N 3740-001
3/8"-16 UNC-2A X 1.25"
STAINLESS STEEL BOLT
(HEADED) (A)

P/N 3844-012
3/8"-16 HEAVY HEX JAM NUT
STAINLESS STEEL (C)

P/N 3638-000 STAINLESS
STEEL SPRING WASHER
(E)

P/N 3645-000
STAINLESS STEEL
FLAT WASHER
4 PLCS.

P/N 3831-000 CONDUCTOR PLATE

P/N 3871-001 STEEL HEX STANDOFF
(2 REQ'D.)

P/N 353N7N14
MOLDED HOUSING
(1 REQ'D.)

* FACTORY ASSEMBLED TO 180 IN./LBS.

(F)

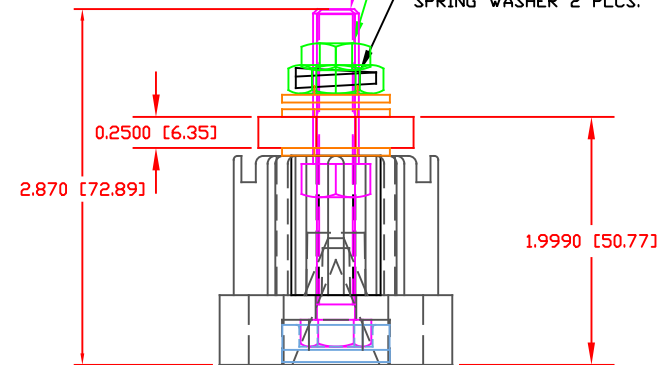
331NON14 (B)
CAVITY PLUG

FACTORY TORQUE TO
80 IN./LBS. (G)

P/N 3730-008
5/16"-18 UNC X 2.5"
FULLY THREADED STAINLESS
STEEL BOLT 2 PLCS.

P/N 3843-009
5/16"-18 HEAVY HEX JAM NUT
STAINLESS STEEL 2 PLCS. (D)

P/N 3642-000 5/16" STAINLESS STEEL
SPRING WASHER 2 PLCS.



SCALE FACTOR : NONE
ALL DIMENSIONS GIVEN AS: in [mm]
TOLERANCES UNLESS OTHERWISE SPECIFIED :
MOLDED PARTS: ±.030" [±0.8mm]
HARDWARE ITEMS: ±.010" [±0.25mm]

MATERIAL PART NO:
MATERIAL:
VENDOR PART NO:
SPECIFIC GRAVITY:
MELTING TEMP:
U.L. RATING:

111210514UL
GLASS FILLED NYLON
HYLON N2015 HL BK
1.23
515 F [268 C]
UL 94 HB

MAXIMUM AMPERAGE:
RECOMMENDED MAXIMUM FASTENER TORQUE:

700 AMPS @12VDC
3/8"-16 180 IN./LBS.
5/16"-18 120 IN./LBS.

VTE Incorporated
5437 Robinson Road, P.O. Box 790
Pellston, Michigan 49769
Telephone: 1-800-527-9256, 231-539-8000
FAX: 231-539-0914

REF:	DATE:	DRN BY:	WEIGHT:
CUSTOMER DIMS	3-26-08	BRH	0.927 lbs [420.48 g]
TITLE:		CHK'D BY:	SCALE:
BUS BAR, HI-AMP 3 POINT		BRH	
MATERIAL: GLASS FILLED NYLON		PART NO.	
COLOR: BLACK		7753N7N14	
DRG CLASS REV G			