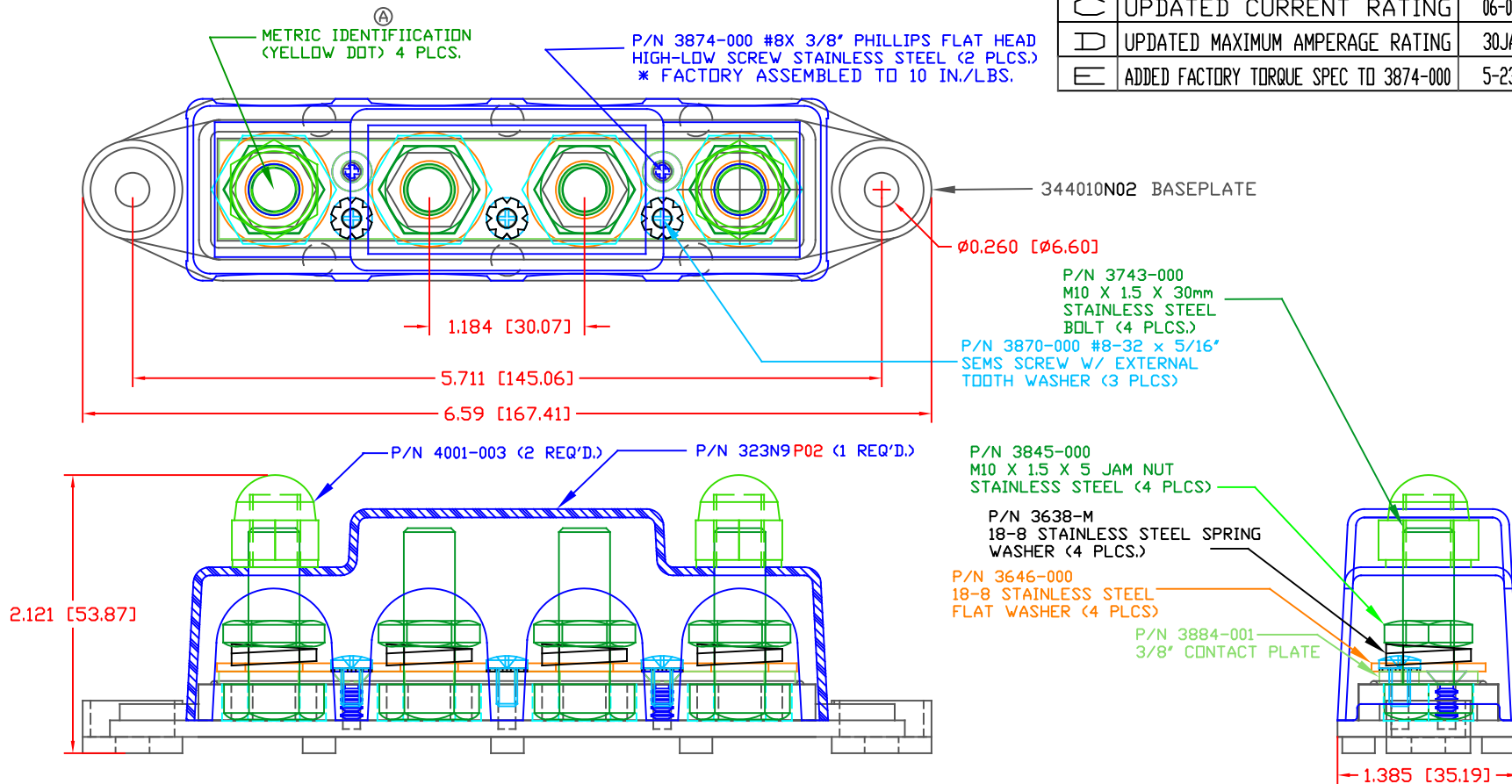


THE INFORMATION CONTAINED IN THIS DRAWING IS THE SOLE PROPERTY OF VTE INCORPORATED. ANY REPRODUCTION IN PART OR WHOLE WITHOUT THE WRITTEN PERMISSION OF VTE INCORPORATED IS PROHIBITED. VTE MAKES NO WARRANTY, EXPRESSED OR IMPLIED, AS TO THE SUITABILITY OF A PRODUCT FOR ANY INTENDED USE. THE CUSTOMER SHALL BEAR THE SOLE RESPONSIBILITY OF DETERMINING THE SUITABILITY OF ANY VTE PRODUCT FOR ITS END USE.

| LTR. | REVISIONS                             | DATE     | INT. |
|------|---------------------------------------|----------|------|
| A    | ADDED METRIC IDENTIFICATION METHOD    | 04-05-11 | BRH  |
| B    | REMOVED (BLUE DOT) NOTE               | 10-20-15 | RAS  |
| C    | UPDATED CURRENT RATING                | 06-02-15 | RAS  |
| D    | UPDATED MAXIMUM AMPERAGE RATING       | 30JAN17  | RAS  |
| E    | ADDED FACTORY TORQUE SPEC TO 3874-000 | 5-23-24  | RAS  |




SCALE FACTOR : NONE  
 ALL DIMENSIONS GIVEN AS: in [mm]  
 TOLERANCES UNLESS OTHERWISE SPECIFIED :  
 MOLDED PARTS: ±.030" [±0.8mm]  
 HARDWARE ITEMS: ±.010" [±0.25mm]

MATERIAL PART NO: 7111210502  
 MATERIAL: GLASS FILLED NYLON  
 VENDOR PART NO: HYLON N2015 HL NAT  
 SPECIFIC GRAVITY: 1.23  
 MELTING TEMP: 515 F [268 C]  
 U.L. RATING: UL 94 HB

INCLUDES COVER P/N 723N4 AND ASSEMBLY P/N 74010N0N02  
 MAXIMUM RECOMMENDED FASTENER TORQUE: (180 IN./LBS.) [20.3 Nm]  
 ( ANTI-SEIZE RECOMMENDED )

MAXIMUM RECOMMENDED AMPERAGE: 250 AMPS @ 12VDC

|   |                  |   |                |
|---|------------------|---|----------------|
|  |                  | <b>VTE Incorporated</b><br>5437 Robinson Road, P.O. Box 790<br>Pellston, Michigan 49769<br>Telephone: 1-800-527-9256, 231-539-8000<br>FAX: 231-539-0914 |                |
|   |                  | REF: CUSTOMER DIMS  | DATE: 08-16-10 |
| TITLE: BUSBAR, 4 POINT, M10 W/ COVER  |                  |   | SCALE: NONE    |
| MATERIAL: GLASS FILLED NYLON  |                  | PART NO.  |                |
| COLOR: RED  | DRG CLASS: REV E | 74010N1N02  |                |