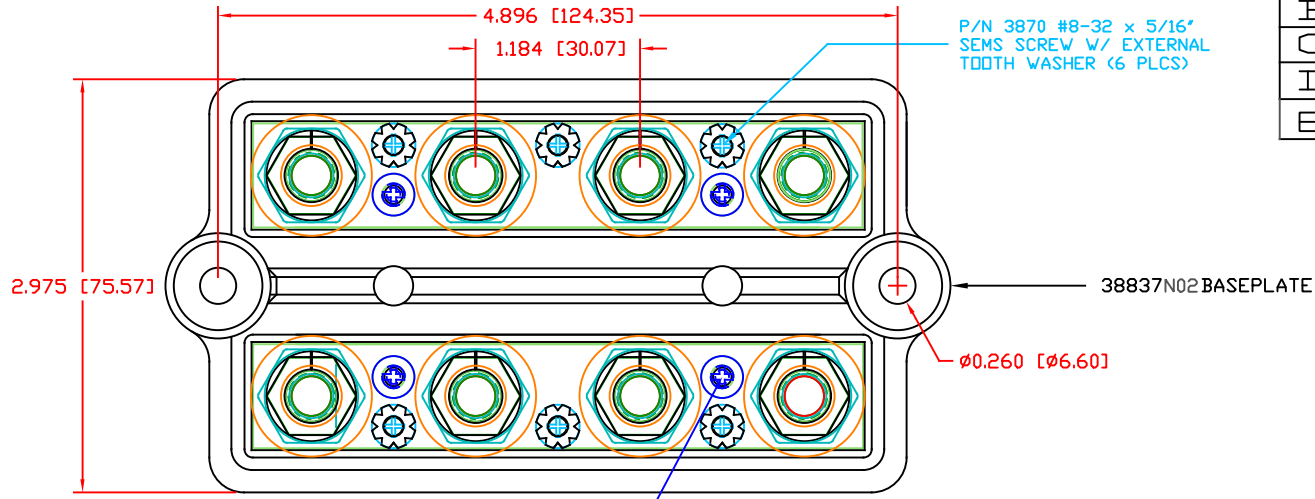


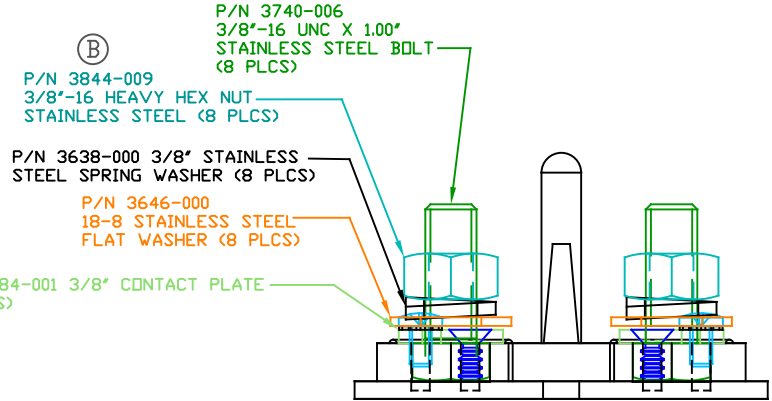
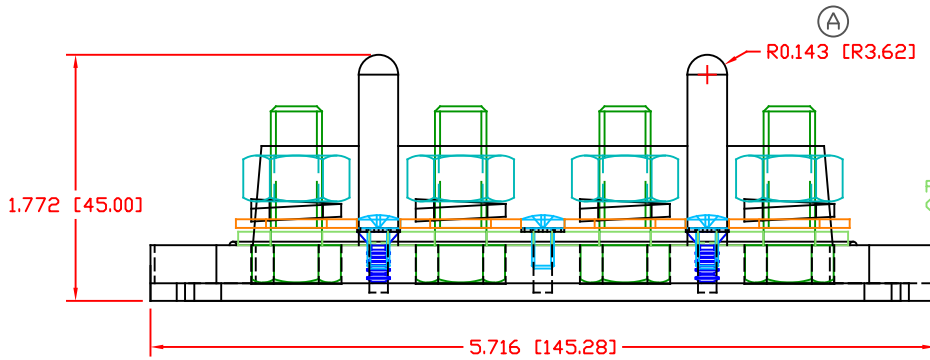
THE INFORMATION CONTAINED IN THIS DRAWING IS THE SOLE PROPERTY OF VTE INCORPORATED. ANY REPRODUCTION IN PART OR WHOLE WITHOUT THE WRITTEN PERMISSION OF VTE INCORPORATED IS PROHIBITED. VTE MAKES NO WARRANTY, EXPRESSED OR IMPLIED, AS TO THE SUITABILITY OF A PRODUCT FOR ANY INTENDED USE. THE CUSTOMER SHALL BEAR THE SOLE RESPONSIBILITY OF DETERMINING THE SUITABILITY OF ANY VTE PRODUCT FOR ITS END USE.

LTR.	REVISIONS	DATE	INT.
A	ADDED FULL RADIUS FOR COVER RETAINER POSTS ADDED RED PAINT FOR POLARITY ID	01-10-07	BRH
B	REPLACED P/N 3844-002 WITH P/N 3844-009	03-18-16	RAS
C	POLARITY PAINT REMOVED FROM BOLT END	06-12-17	JMM
D	ADDED NEWTON METERS VALUE TO TORQUE SPEC	11-16-17	RAS
E	ADDED FACTORY TORQUE SPEC TO 3874-000	5-23-24	RAS



P/N 738N3P05 COVER ASSEMBLY (AVAILABLE SEPARATELY) CONSISTS OF (1) 338N9V COVER AND (2) 324N3V05 COVER RETAINERS

P/N 3874-000 #8X 3/8" PHILLIPS FLAT HEAD HIGH-LOW SCREW STAINLESS STEEL (4 PLCS.)
* FACTORY ASSEMBLED TO 10 IN./LBS.



SCALE FACTOR : NONE
ALL DIMENSIONS GIVEN AS: in [mm]
TOLERANCES UNLESS OTHERWISE SPECIFIED :
MOLDED PARTS: ±.030" [±0.8mm]
HARDWARE ITEMS: ±.010" [±0.25mm]

MATERIAL PART NO:
MATERIAL:
VENDOR PART NO:
SPECIFIC GRAVITY:
MELTING TEMP:
U.L. RATING:

7111210502
GLASS FILLED NYLON
NYLON N2015 HL NAT
1.23
515 F [268 C]
UL 94 HB

MAX RECOMMENDED FASTENER TORQUE: 180 IN./LBS [20.3 Nm]
(ANTI-SEIZE RECOMMENDED)

CURRENT RATING: 250A @ 12VDC
BASE MATERIAL: GLASS-REINFORCED NYLON
BASE MATERIAL U.L. RATING: 94 HB

VTE Incorporated
5437 Robinson Road, P.O. Box 790
Pellston, Michigan 49769
Telephone: 1-800-527-9256, 231-539-8000
FAX: 231-539-0914

REF: CUSTOMER DIMS	DATE: 10-24-06	DRN BY: BRH	WEIGHT:
		CHK'D BY: BRH	
TITLE: 3/8" DUAL 4- POINT BUS BAR			
MATERIAL: GLASS FILLED NYLON		PART NO. 738837N0N02	
COLOR: RED	DRG CLASS REV E		