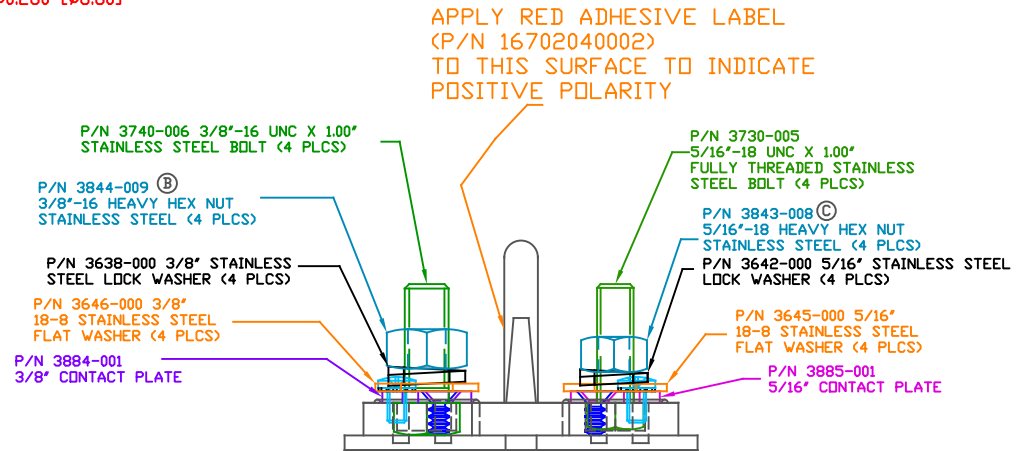
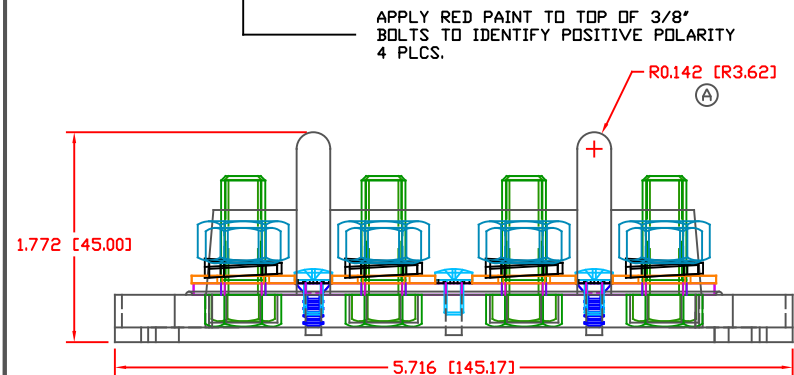
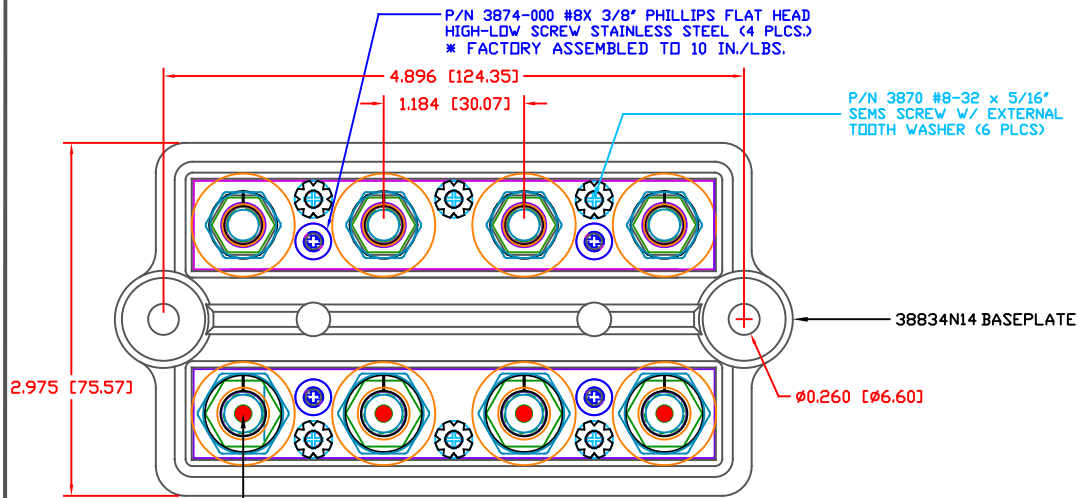


THE INFORMATION CONTAINED IN THIS DRAWING IS THE SOLE PROPERTY OF VTE INCORPORATED. ANY REPRODUCTION IN PART OR WHOLE WITHOUT THE WRITTEN PERMISSION OF VTE INCORPORATED IS PROHIBITED. VTE MAKES NO WARRANTY, EXPRESSED OR IMPLIED, AS TO THE SUITABILITY OF A PRODUCT FOR ANY INTENDED USE. THE CUSTOMER SHALL BEAR THE SOLE RESPONSIBILITY OF DETERMINING THE SUITABILITY OF ANY VTE PRODUCT FOR ITS END USE.

LTR.	REVISIONS	DATE	INT.
A	ADDED FULL RADIUS FOR COVER RETAINER POSTS ADDED RED PAINT FOR POLARITY ID	01-10-07	BRH
B	REPLACED P/N 3844-002 WITH P/N 3844-009	03-18-16	RAS
C	REPLACED P/N 3843-002 WITH P/N 3843-008	03-18-16	RAS
D	ADDED NEWTON METERS VALUE TO TORQUE SPEC	11-16-17	RAS
E	ADDED FACTORY TORQUE SPEC TO 3874-000	5-23-24	RAS



SCALE FACTOR : NONE  
 ALL DIMENSIONS GIVEN AS: in [mm]  
 TOLERANCES UNLESS OTHERWISE SPECIFIED :  
 MOLDED PARTS: ±.030" [±0.8mm]  
 HARDWARE ITEMS: ±.010" [±0.25mm]

MATERIAL PART NO:  
 MATERIAL:  
 VENDOR PART NO:  
 SPECIFIC GRAVITY:  
 MELTING TEMP:  
 U.L. RATING:

1111210514UL  
 GLASS FILLED NYLON  
 NYLON N2015 HL BK  
 1.23  
 515 F [268 C]  
 UL 94 HB

MAX RECOMMENDED FASTENER TORQUE: 5/16"-18 NUTS 144 IN./LBS. [16.2 Nm]  
 3/8"-16 NUTS 180 IN./LBS. [20.3 Nm]  
 ( ANTI-SEIZE RECOMMENDED )

MAXIMUM RECOMMENDED CURRENT: 250A @ 12VDC

VTE Incorporated

5437 Robinson Road, P.O. Box 790  
 Pellston, Michigan 49769  
 Telephone: 1-800-527-9256, 231-539-8000  
 FAX: 231-539-0914

REF:	DATE:	DRN BY:	BRH	WEIGHT:
CUSTOMER DIMS	10-24-06	CHK'D BY:	BRH	
TITLE:		5/16" AND 3/8" DUAL 4-POINT BUS		
MATERIAL:		GLASS FILLED NYLON		PART NO.
COLOR:		BLACK		738834N0N14
DRG CLASS		REV E		