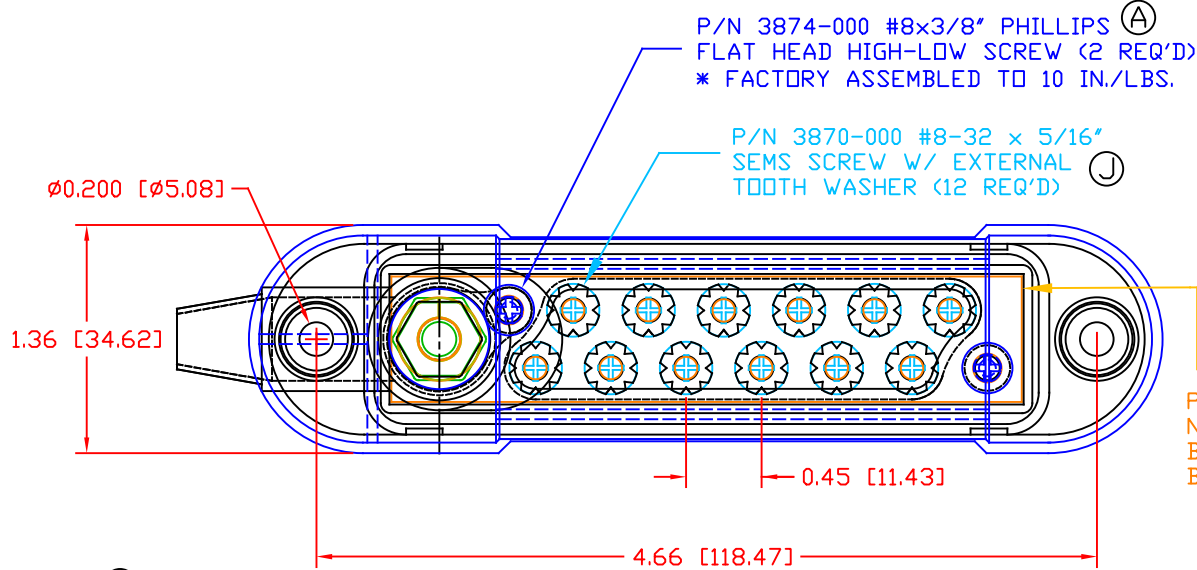
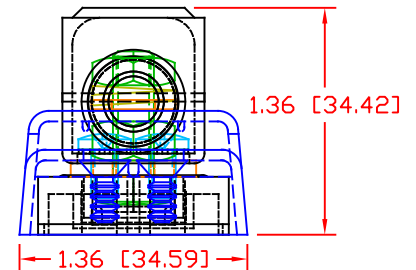
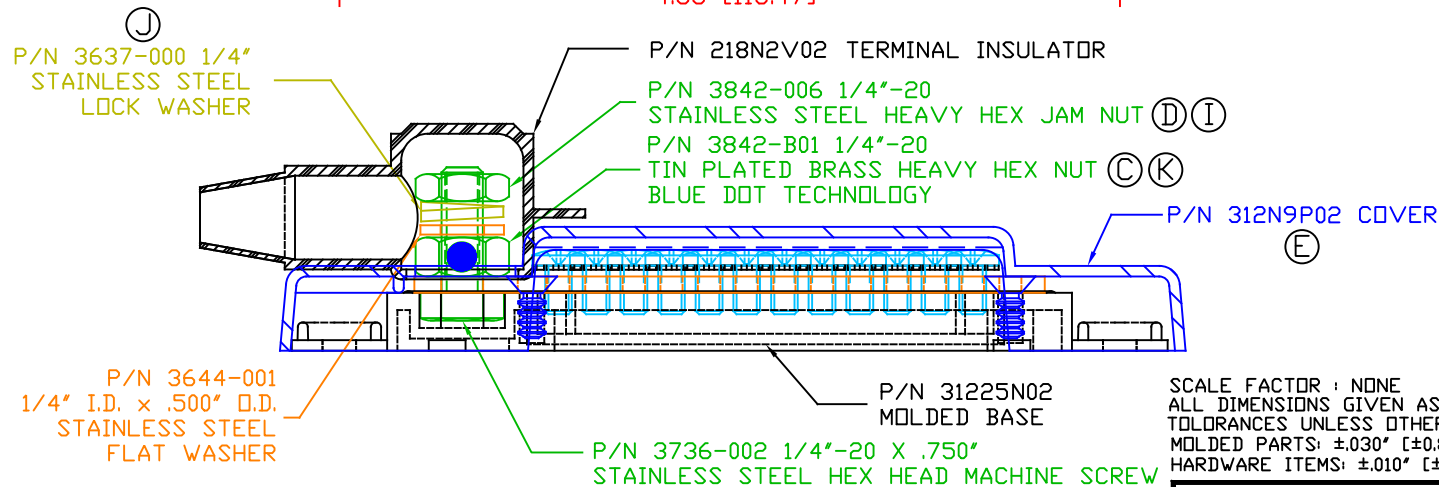


THE INFORMATION CONTAINED IN THIS DRAWING IS THE SOLE PROPERTY OF VTE INCORPORATED. ANY REPRODUCTION IN PART OR WHOLE WITHOUT THE WRITTEN PERMISSION OF VTE INCORPORATED IS PROHIBITED. VTE MAKES NO WARRANTY, EXPRESSED OR IMPLIED, AS TO THE SUITABILITY OF A PRODUCT FOR ANY INTENDED USE. THE CUSTOMER SHALL BEAR THE SOLE RESPONSIBILITY OF DETERMINING THE SUITABILITY OF ANY VTE PRODUCT FOR ITS END USE.

LTR.	REVISIONS	DATE	INT.
A	3874-000 WAS 3872, 3873-001 WAS 3873	10-03-16	BRH
B	ADDED SUB ASSEMBLY P/N 73873-001	10-11-06	BRH
C	3842-001 ADDED 1 PLC, 3842-002 REMOVED 1 PLC.	04-20-07	BRH
D	3842-003 WAS 3842-002	08-22-07	BRH
E	COVER 312N9P02 WAS 313NOV00	10-02-08	BRH
F	ADDED TORQUE SPECIFICATION	01-21-14	BRH
G	REMOVED SUB-ASSEMBLY NOTE P/N 73873	02-04-16	RAS
H	UPDATED TORQUE SPEC	08-09-16	MDL
I	3842-006 WAS 3842-003	03-24-17	JMM
J	3637-000 WAS 3637, 3870-000 WAS 3870	03-30-17	JMM
K	3842-B01 WAS 3842-001	06-14-17	JMM
L	ADDED FACTORY TORQUE SPEC TO 3874-000	5-23-24	RAS



P/N 3873-001
NICKEL PLATED
BRASS ALLOY
BUS STRIP (A)



SCALE FACTOR : NONE
 ALL DIMENSIONS GIVEN AS: in [mm]
 TOLERANCES UNLESS OTHERWISE SPECIFIED :
 MOLDED PARTS: ± 0.30 " [± 0.8 mm]
 HARDWARE ITEMS: ± 0.010 " [± 0.25 mm]

MATERIAL PART NO:
 MATERIAL:
 VENDOR PART NO:
 SPECIFIC GRAVITY:
 MELTING TEMP:
 U.L. RATING:

711210502
 GLASS FILLED NYLON
 NYLON N2015 HL NAT
 1.23
 515 F [268 C]
 UL 94 HB

INCLUDES P-16808110001 BLUE DOT MULTI LABEL, 1 PER CONTAINER
 TESTED AT 240 AMPS @ 12VDC FOR 30 MINUTES, MAXIMUM
 TEMPERATURE RISE WAS 7.8 DEG. C. MAXIMUM
 TEMPERATURE RECORDED WAS 30.6 DEG. C.

VTE Incorporated

5437 Robinson Road, P.O. Box 790
 Pellston, Michigan 49769
 Telephone: 1-800-527-9256, 231-539-8000
 FAX: 231-539-0914

REF:	DATE:	DRN BY:	BRH	WEIGHT:
CUSTOMER DIMS	08-22-05	CHK'D BY:	BRH	
TITLE:			SCALE:	
MATERIAL: GLASS-FILLED NYLON			PART NO.	
COLOR: RED	DRG CLASS	REV L		71225N02