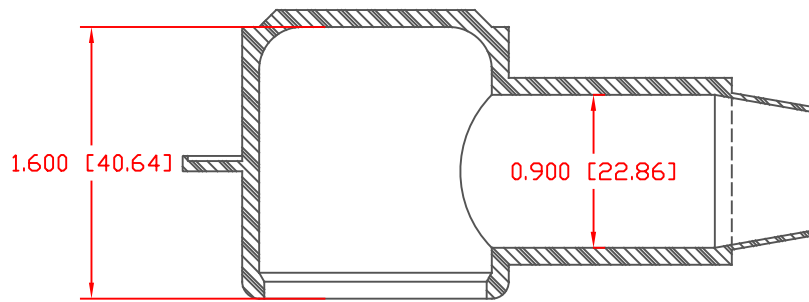
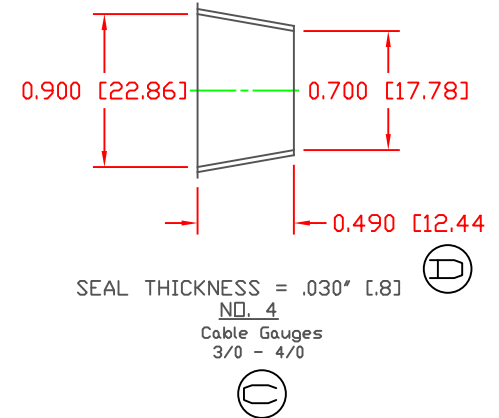
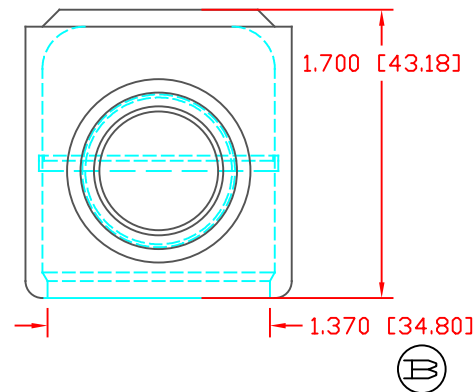


THE INFORMATION CONTAINED IN THIS DRAWING IS THE SOLE PROPERTY OF VTE INCORPORATED. ANY REPRODUCTION IN PART OR WHOLE WITHOUT THE WRITTEN PERMISSION OF VTE INCORPORATED IS PROHIBITED. VTE MAKES NO WARRANTY, EXPRESSED OR IMPLIED, AS TO THE SUITABILITY OF A PRODUCT FOR ANY INTENDED USE. THE CUSTOMER SHALL BEAR THE SOLE RESPONSIBILITY OF DETERMINING THE SUITABILITY OF ANY VTE PRODUCT FOR ITS END USE.

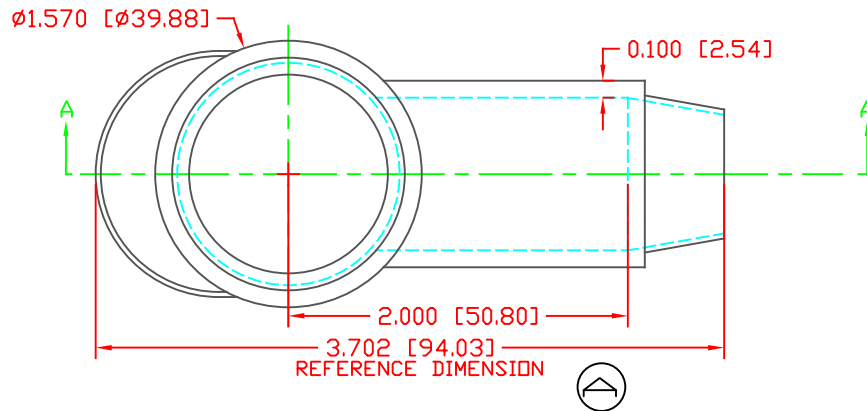
LTR.	REVISIONS	DATE	INT.
A	ADDED REFERENCE DIMENSION	02-25-16	RAS
B	REVISED DIMENSION FROM 1.310 [33.27]	03-08-18	RAS
C	UPDATED CABLE GAUGES FROM 2/0 - 4/0	03-28-18	RAS
D	REVISED FROM 0.567 [14.40]	07-3-24	RAS



SECTION A-A  
TYP. WALL THICKNESS = .100" [2.5]  
SEAL NO. 4 SHOWN




SEAL THICKNESS = .030" [.8]  
NO. 4  
Cable Gauges  
3/0 - 4/0



ALL DIMENSIONS GIVEN AS: in [mm]  
MOLDED PARTS: ±.030" [±0.8mm]  
HARDWARE ITEMS: ±.010" [±0.25mm]

MATERIAL PART NO: 1101650102  
MATERIAL: PVC  
VENDOR PART NO: 9812-65-RED 683  
SHORE DUROMETER: "A" 10 SEC. 65  
SPECIFIC GRAVITY: 1.34  
ULT. ELONGATION %: 400  
MELTING TEMP: 315-335 F [157-168 C]  
BRITTLE TEMP: -54 F [-48 C]  
Tensile Strength PSI: 1550 PSI  
Dielectric Strength, v./mil: 511  
U.L. Rating: V2

DO NOT SCALE

		<b>VTE Incorporated</b> 5437 Robinson Road, P.O. Box 790 Pellston, Michigan 49769 Telephone: 1-800-527-9256, 231-539-8000 FAX: 231-539-0914	
		REF: CUSTOMER DIMS	DATE: 03-25-98
TITLE: TERMINAL INSULATOR CAP		CHK'D BY: JC	
MATERIAL: PVC	DRG CLASS: REV D	PART NO: 234N4V02	
COLOR: RED			