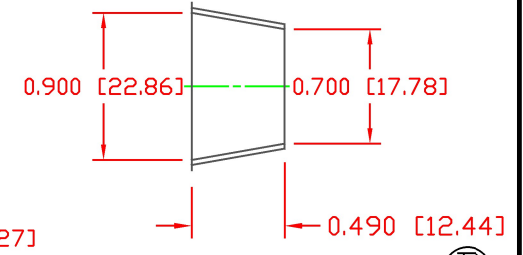
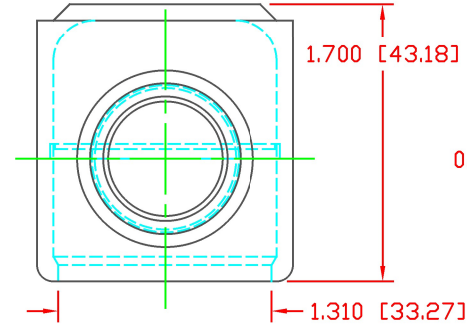
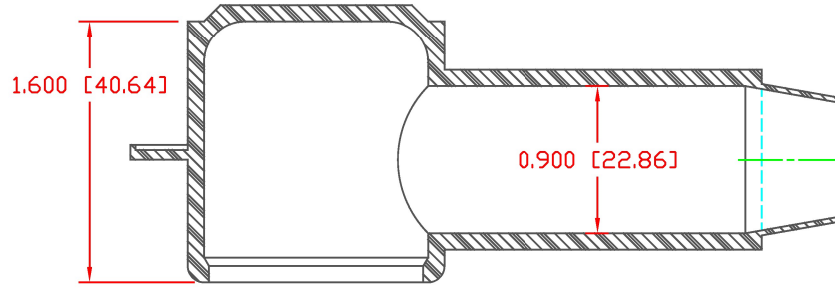


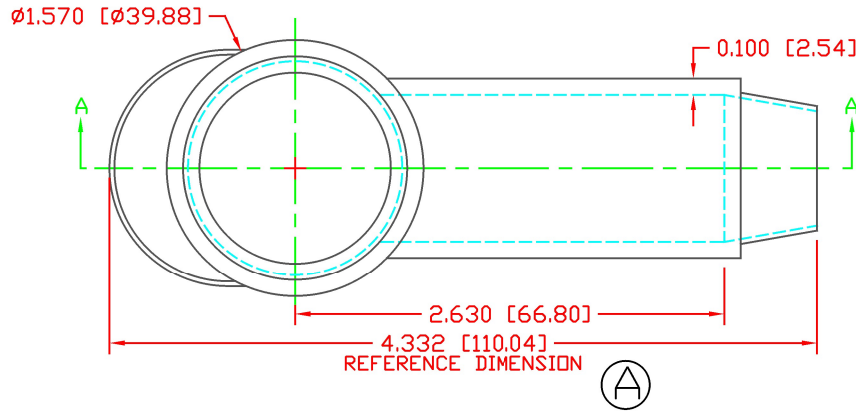
THE INFORMATION CONTAINED IN THIS DRAWING IS THE SOLE PROPERTY OF VTE INCORPORATED. ANY REPRODUCTION IN PART OR WHOLE WITHOUT THE WRITTEN PERMISSION OF VTE INCORPORATED IS PROHIBITED. VTE MAKES NO WARRANTY, EXPRESSED OR IMPLIED, AS TO THE SUITABILITY OF A PRODUCT FOR ANY INTENDED USE. THE CUSTOMER SHALL BEAR THE SOLE RESPONSIBILITY OF DETERMINING THE SUITABILITY OF ANY VTE PRODUCT FOR ITS END USE.

| LTR. | REVISIONS                  | DATE     | INT. |
|------|----------------------------|----------|------|
| A    | ADDED REFERENCE DIMENSION  | 02-25-16 | RAS  |
| B    | REVISED FROM 0.567 [14.40] | 07-3-24  | RAS  |



SECTION A-A  
TYP. WALL THICKNESS = .100" [2.5]  
SEAL NO. 4 SHOWN

SEAL THICKNESS = .030" [0.8] (B)  
NO. 4  
Cable Gages  
2/0 - 4/0



ALL DIMENSIONS GIVEN AS: In [mm]  
MOLDED PARTS: ±.030" [±0.8mm]  
HARDWARE ITEMS: ±.010" [±0.25mm]

|                             |                       |
|-----------------------------|-----------------------|
| VTE PART NO:                | 1101650114            |
| MATERIAL:                   | PVC                   |
| VENDOR PART NO:             | 9812-65-BLACK         |
| SHORE DUROMETER:            | "A" 10 SEC. 65        |
| SPECIFIC GRAVITY:           | 1.34                  |
| ULT. ELONGATION %:          | 400                   |
| MELTING TEMP:               | 315-335 F [157-168 C] |
| BRITTLE TEMP:               | -54 F [-48 C]         |
| Tensile Strength PSI:       | 1550 PSI              |
| Dielectric Strength, v./mil | 453                   |
| U.L. Rating:                | V2                    |

DO NOT SCALE



VTE Incorporated  
5437 Robinson Road, P.O. Box 790  
Pellston, Michigan 49769  
Telephone: 1-800-527-9256, 231-539-8000  
FAX: 231-539-0914

|                               |          |           |          |                   |
|-------------------------------|----------|-----------|----------|-------------------|
| REF:                          | DATE:    | DRN BY:   | JC       | WEIGHT:           |
| CUSTOMER DIMS                 | 03-25-98 | CHK'D BY: | JC       | .078 LBS [35.3 g] |
| TITLE: TERMINAL INSULATOR CAP |          |           |          |                   |
| MATERIAL: PVC                 |          |           | PART NO. |                   |
| COLOR: BLACK                  |          |           | 234E4V14 |                   |
| DRG CLASS                     |          |           | REV B    |                   |