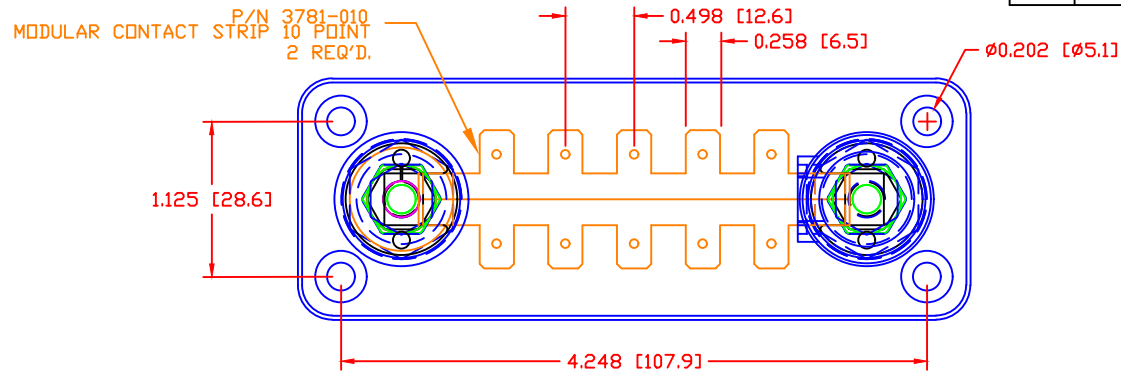


THE INFORMATION CONTAINED IN THIS DRAWING IS THE SOLE PROPERTY OF VTE INCORPORATED. ANY REPRODUCTION IN PART OR WHOLE WITHOUT THE WRITTEN PERMISSION OF VTE INCORPORATED IS PROHIBITED.

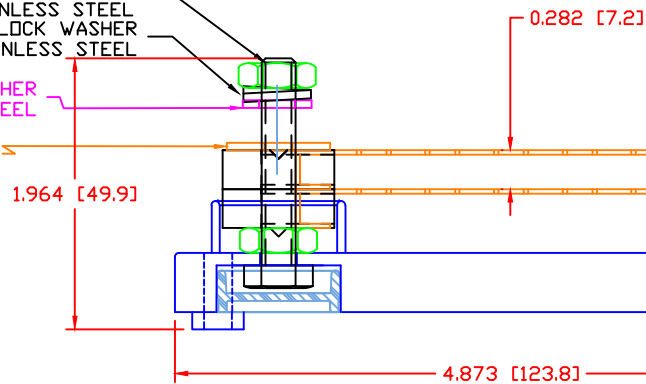
LTR.	REVISIONS	DATE	INT
A	PN 329NDV14 CHANGED TO PN 329NON14	6-27-16	MDL
B	UPDATED CAP COLOR FROM 02	02-21-17	RAS
C	3842-006 WAS 3842-003	03-24-17	JMM
D	REMOVED OPTIONAL COVER P/N 335N9P05	5-1-17	JMM



P/N 3736-005  $\frac{1}{4}$ "-20X1.5 HEX HEAD BOLT STAINLESS STEEL  
P/N 3637-000  $\frac{1}{4}$ " SPLIT LOCK WASHER STAINLESS STEEL

P/N 3644-001  $\frac{1}{4}$ " FLAT WASHER STAINLESS STEEL

P/N 3644-003  $\frac{1}{4}$ " NICKEL PLATED BRASS FLAT WASHER



P/N 3736-003  $\frac{1}{4}$ "-20X1 HEX HEAD BOLT STAINLESS STEEL

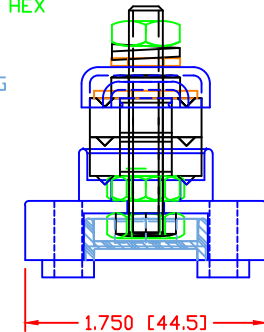
P/N 3715-001 SPACER 4 PLCS.

P/N 3842-006  $\frac{1}{4}$ "-20 HEAVY HEX JAM NUT STAINLESS STEEL (4 PLCS.) (C)

P/N 329NON14 CAVITY PLUG 2 PLCS. (A)(B)

P/N 332N9N14 BOLT CAP

P/N 701N9N14 HOUSING




TOLERANCE UNLESS OTHERWISE SPECIFIED:  
MOLDED PRODUCTS ONLY:  $\pm 0.30$ "/ $\pm 0.8$ mm  
HARDWARE ITEMS:  $\pm 0.010$ "/ $\pm 0.25$ mm  
RADIAL DIAMETERS TO BE MEASURED OVER MANDRELS,  
RING GAGES OR PIN GAGES OF SUITABLE SIZE

MATERIAL PART NO:  
MATERIAL:  
VENDOR PART NO:  
SPECIFIC GRAVITY:  
MELTING TEMP:  
U.L. RATING:

1111210514UL  
GLASS FILLED NYLON  
NYLON N2015 HL BK  
1.23  
515 F [268 C]  
UL 94 HB

MAXIMUM RECOMMENDED FASTENER TORQUE: 72 IN-LBS [8.14 Nm]



**VTE Incorporated**  
5437 Robinson Road, P.O. Box 790  
Pellston, Michigan 49769  
Telephone: 1-800-527-9256, 231-539-8000  
FAX: 231-539-0914

REF:	DATE: 5-21-08	DRN BY: BRH CHK'D BY: BRH	WEIGHT: .248LBS [112.540g]
TITLE: BUSBAR, TAB TYPE 20 POINT			SCALE: NONE
MATERIAL: GLASS-FILLED NYLON		PART NO. TTB720N14	
COLOR: BLACK	DRG CLASS REV D		