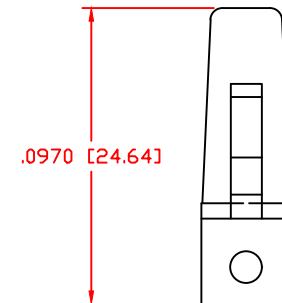
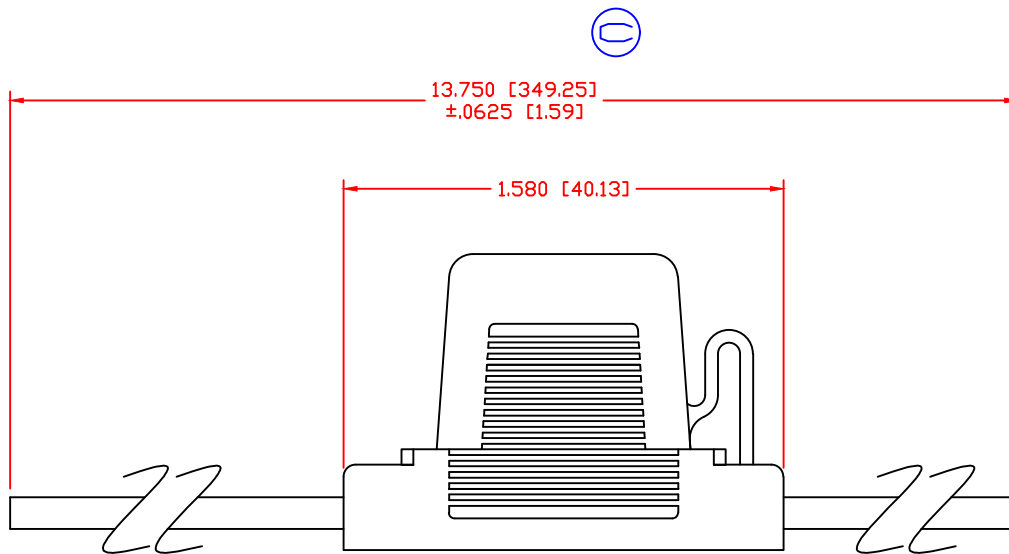
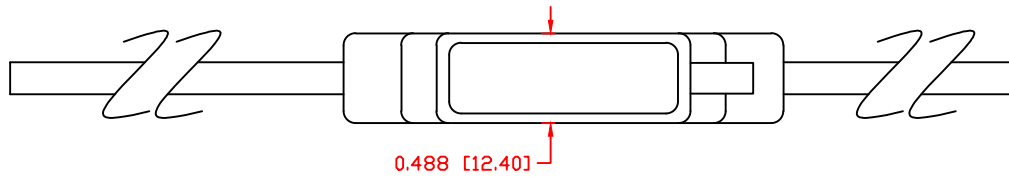


THE INFORMATION CONTAINED IN THIS DRAWING IS THE SOLE PROPERTY OF VTE INCORPORATED. ANY REPRODUCTION IN PART OR WHOLE WITHOUT THE WRITTEN PERMISSION OF VTE INCORPORATED IS PROHIBITED. VTE MAKES NO WARRANTY, EXPRESSED OR IMPLIED, AS TO THE SUITABILITY OF A PRODUCT FOR ANY INTENDED USE. THE CUSTOMER SHALL BEAR THE SOLE RESPONSIBILITY OF DETERMINING THE SUITABILITY OF ANY VTE PRODUCT FOR ITS END USE.

LTR.	REVISIONS	DATE	INT.
A	ADDED STRANDING INFO AND INSULATION COLOR	21FEB06	BRH
B	REV'D INSULATION COLOR RED, WAS BLACK	21MAR06	BRH
C	UPDATED DIMENSION FROM 13.5" TO 13.750"	14OCT16	RAS
D	CHANGED FROM BARE COPPER TO TIN COATED COPPER	14JUN17	RAS



THIS ITEM IS RoHS COMPLIANT.

Wire Leads: 16 Ga.

① " Tin Coated " Stranded Copper ②③

24+/-5 Strands


PVC Insulated, Color RED

NOTE:

NOT SUITABLE FOR CONTINUOUS
DUTY OVER 20 AMPS @12VDC

DO NOT SCALE

ALL DIMENSIONS GIVEN AS: In [mm]
MOLDED PARTS: ±.030" [±0.8mm]
HARDWARE ITEMS: ±.010" [±0.25mm]

		VTE Incorporated 5437 Robinson Road, P.O. Box 790 Pellston, Michigan 49769 Telephone: 1-800-527-9256, 231-539-8000 FAX: 231-539-0914	
		REF: CUSTOMER DIMS	DATE: 03NOV05
TITLE: MINI [®] FUSEHOLDER			
MATERIAL:		PART NO.	
COLOR:	DRG CLASS REV D	MNH933516R	