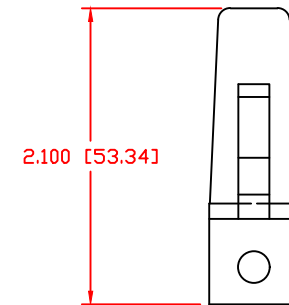
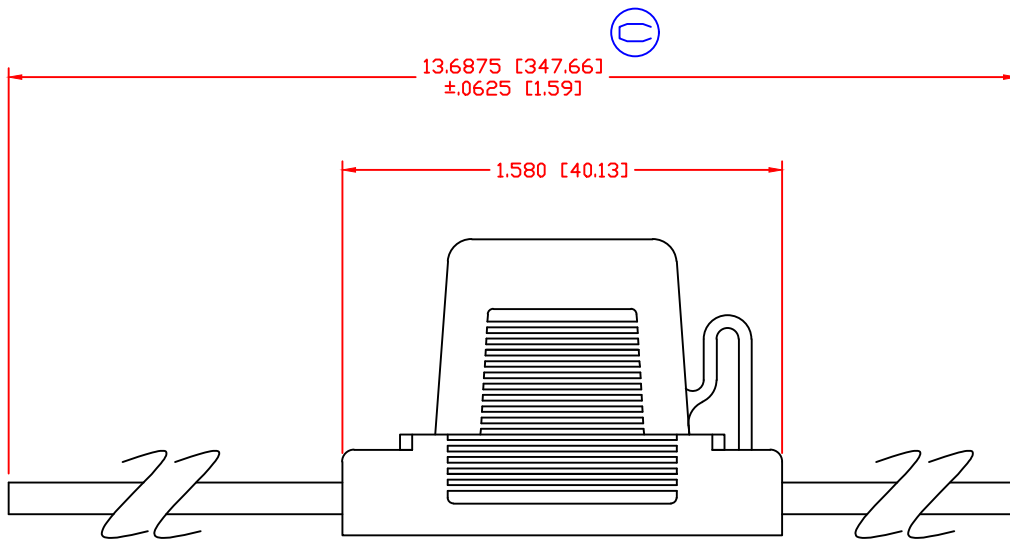
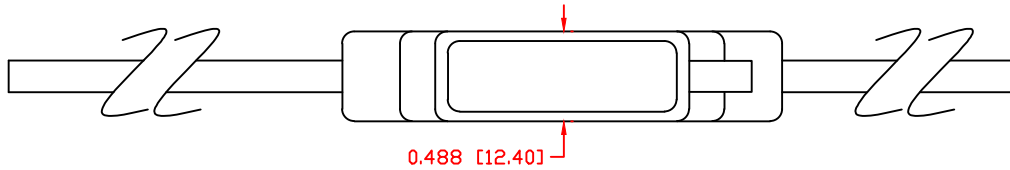


THE INFORMATION CONTAINED IN THIS DRAWING IS THE SOLE PROPERTY OF VTE INCORPORATED. ANY REPRODUCTION IN PART OR WHOLE WITHOUT THE WRITTEN PERMISSION OF VTE INCORPORATED IS PROHIBITED. VTE MAKES NO WARRANTY, EXPRESSED OR IMPLIED, AS TO THE SUITABILITY OF A PRODUCT FOR ANY INTENDED USE. THE CUSTOMER SHALL BEAR THE SOLE RESPONSIBILITY OF DETERMINING THE SUITABILITY OF ANY VTE PRODUCT FOR ITS END USE.

LTR.	REVISIONS	DATE	INT.
A	ADDED STRANDING INFO AND INSULATION COLOR	21FEB06	BRH
B	REV'D INSULATION COLOR RED, WAS BLACK	21MAR06	BRH
C	UPDATED DIMENSION FROM 12" TO 13.6875"	14OCT16	RAS
D	CHANGED FROM BARE COPPER TO TIN COATED COPPER	14JUN17	RAS



THIS ITEM IS RoHS COMPLIANT.

Wire Leads: 14 Ga.

① " Tin Coated " Stranded Copper ①②


24+/-5 Strands

PVC Insulated, Color Red

NOTE:

NOT SUITABLE FOR CONTINUOUS  
DUTY OVER 30 AMPS @12VDC

ALL DIMENSIONS GIVEN AS: In [mm]  
MOLDED PARTS: ±.030" [±0.8mm]  
HARDWARE ITEMS: ±.010" [±0.25mm]

		<b>VTE Incorporated</b> 5437 Robinson Road, P.O. Box 790 Pellston, Michigan 49769 Telephone: 1-800-527-9256, 231-539-8000 FAX: 231-539-0914	
		REF: CUSTOMER DIMS	DATE: 03NOV05
TITLE: MINI <sup>®</sup> FUSEHOLDER		CHK'D BY: BRH	
MATERIAL:		PART NO. MNH933514R	
COLOR:	DRG CLASS REV D		

DO NOT SCALE