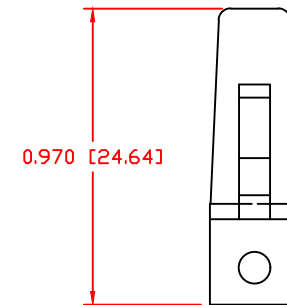
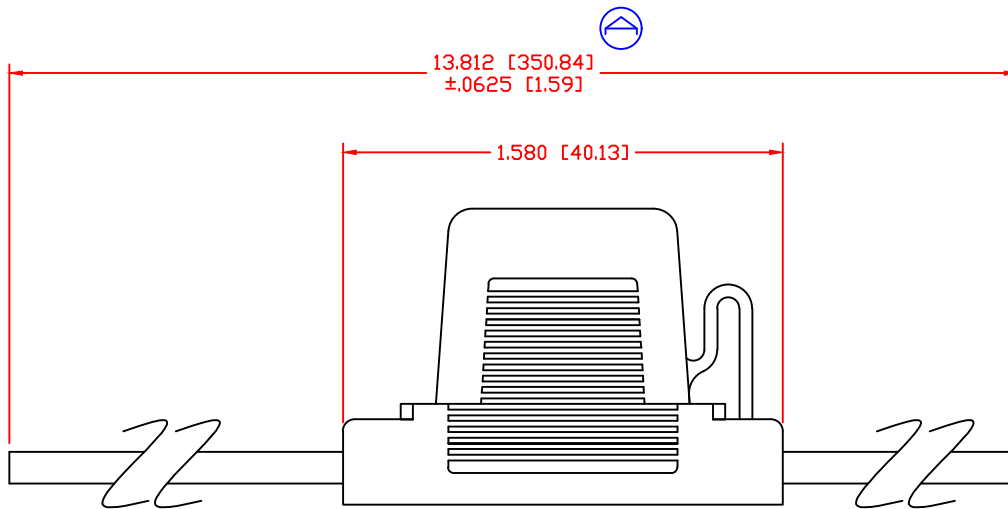
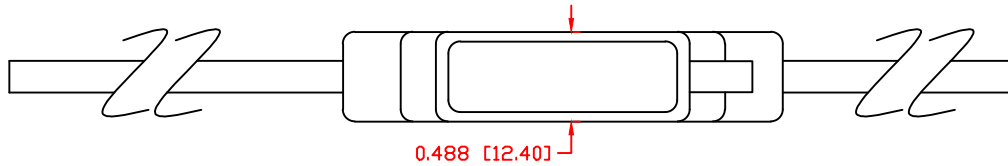


THE INFORMATION CONTAINED IN THIS DRAWING IS THE SOLE PROPERTY OF VTE INCORPORATED. ANY REPRODUCTION IN PART OR WHOLE WITHOUT THE WRITTEN PERMISSION OF VTE INCORPORATED IS PROHIBITED. VTE MAKES NO WARRANTY, EXPRESSED OR IMPLIED, AS TO THE SUITABILITY OF A PRODUCT FOR ANY INTENDED USE. THE CUSTOMER SHALL BEAR THE SOLE RESPONSIBILITY OF DETERMINING THE SUITABILITY OF ANY VTE PRODUCT FOR ITS END USE.

LTR.	REVISIONS	DATE	INT.
A	UPDATED DIMENSION FROM 12.1 TO 13.812"	14OCT16	RAS
B	CHANGED FROM BARE COPPER TO TIN COATED COPPER	14JUN17	RAS



THIS ITEM IS RoHS COMPLIANT.


Wire Leads: 12 Ga.

Ⓟ " Tin Coated " Stranded Copper,  
PVC Insulated, Color Red

NOTE:

NOT SUITABLE FOR CONTINUOUS  
DUTY OVER 40 AMPS @12VDC

ALL DIMENSIONS GIVEN AS: In [mm]  
MOLDED PARTS: ±.030" [±0.8mm]  
HARDWARE ITEMS: ±.010" [±0.25mm]

		<b>VTE Incorporated</b> 5437 Robinson Road, P.O. Box 790 Pellston, Michigan 49769 Telephone: 1-800-527-9256, 231-539-8000 FAX: 231-539-0914	
		REF: CUSTOMER DIMS	DATE: 03NOV05
TITLE: MINI <sup>®</sup> FUSEHOLDER		CHK'D BY: BRH	
MATERIAL:		PART NO.	
COLOR:	DRG CLASS REV B	MNH933512R	

DO NOT SCALE