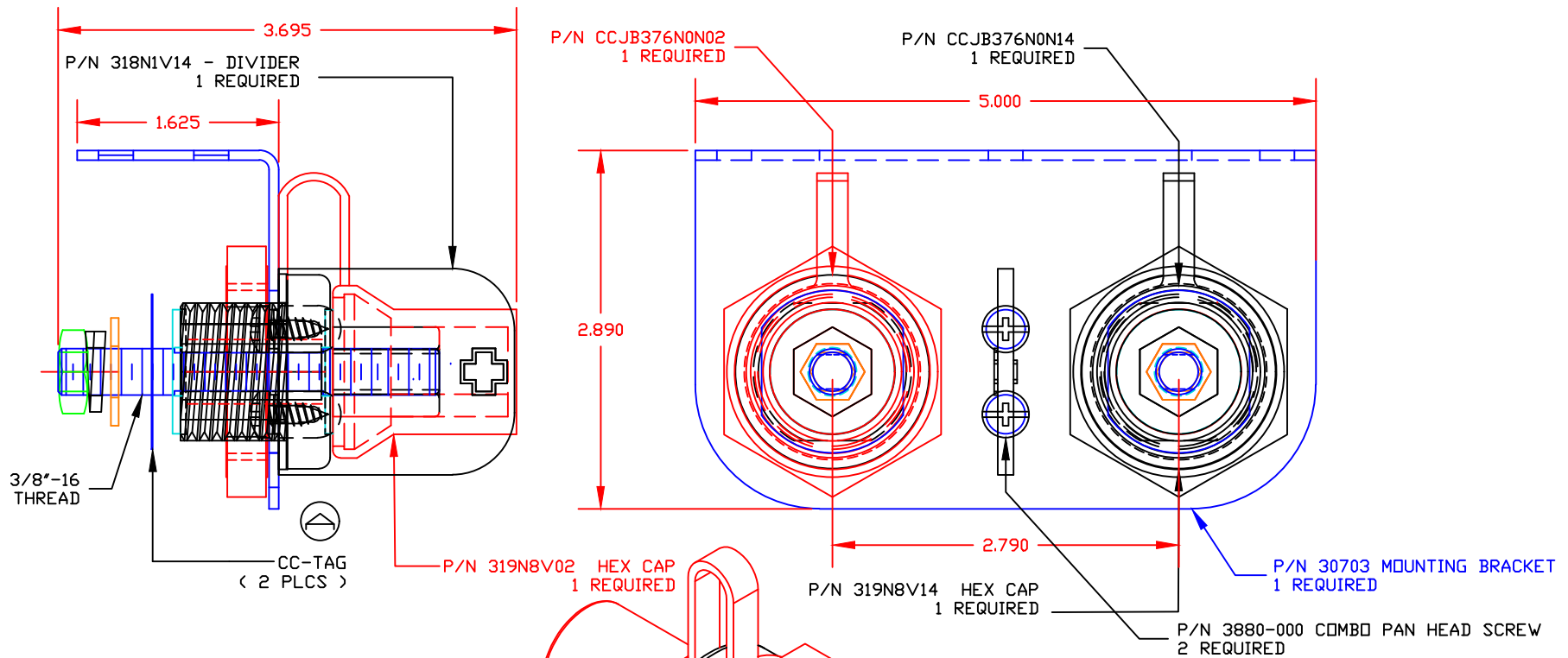
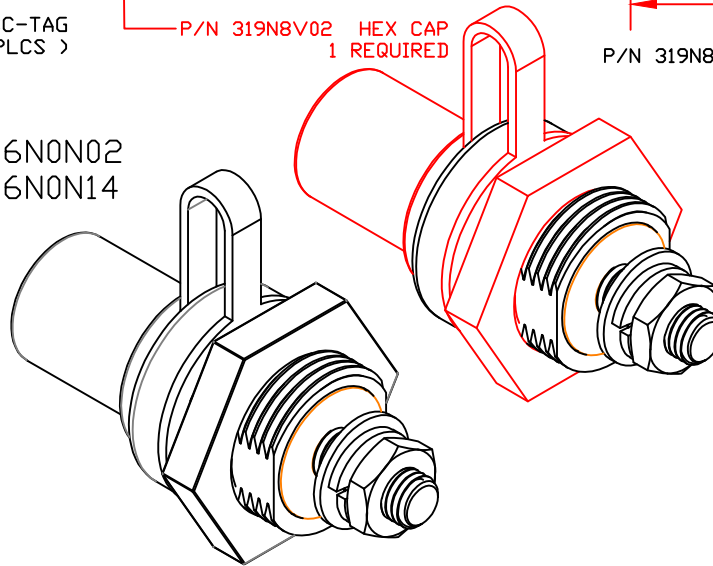


THE INFORMATION CONTAINED IN THIS DRAWING IS THE SOLE PROPERTY OF VTE INCORPORATED. ANY REPRODUCTION IN PART OR WHOLE WITHOUT THE WRITTEN PERMISSION OF VTE INCORPORATED IS PROHIBITED.

LTR.	REVISIONS	DATE	INT.
△	ADDED TORQUE TAG	12-29-15	RAS
B	UPDATED TORQUE VALUES FROM 180 IN-LBS [20.34 Nm]	2-03-18	RAS



INCLUDES: (1) CCJB376N0N02  
(1) CCJB376N0N14




TOLERANCE UNLESS OTHERWISE SPECIFIED:  
 MOLDED PRODUCTS ONLY:  $\pm 0.30^\circ / \pm 0.8\text{mm}$   
 HARDWARE ITEMS:  $\pm 0.010^\circ / \pm 0.25\text{mm}$   
 RADIAL DIAMETERS TO BE MEASURED OVER MANDRELS,  
 RING GAGES OR PIN GAGES OF SUITABLE SIZE

MAXIMUM FASTENER TORQUES:

ⓑ JAM NUTS: 212 IN-LBS [24.0 Nm]  
 SEALING NUT: 120 IN-LBS [13.5 Nm]

RECOMMENDED MAXIMUM AMPERAGE: 350 AMPS @ 12VDC

		<b>VTE Incorporated</b> 5437 Robinson Road, P.O. Box 790 Pellston, Michigan 49769 Telephone: 1-800-527-9256, 231-539-8000 FAX: 231-539-0914	
		REF:	DATE: 10-15-15
TITLE: COPPER CORE JUMPER BUSHING BRACKET MOUNT KIT		CHK'D BY: RAS	SCALE:
MATERIAL:		PART NO. CCJB376BMK	
COLOR:	DRG CLASS REV B		