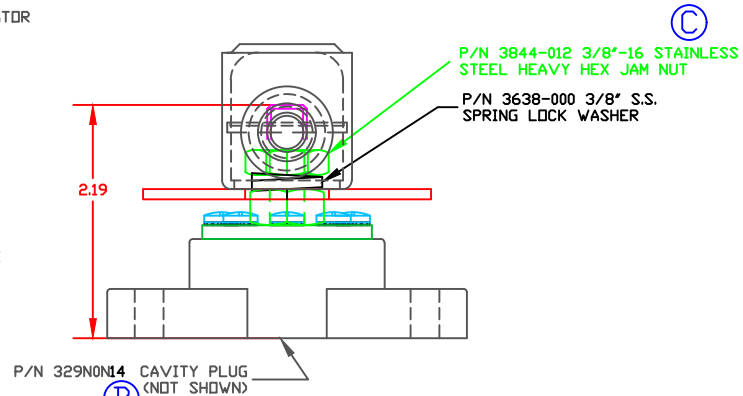
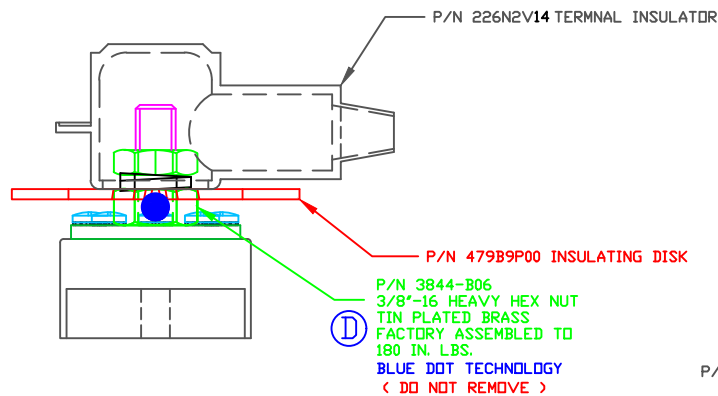
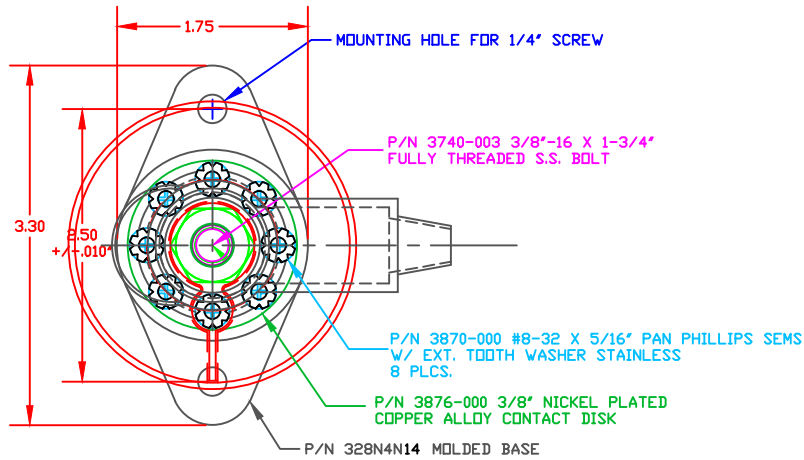


THE INFORMATION CONTAINED IN THIS DRAWING IS THE SOLE PROPERTY OF VTE INCORPORATED. ANY REPRODUCTION IN PART OR WHOLE WITHOUT THE WRITTEN PERMISSION OF VTE INCORPORATED IS PROHIBITED.


LTR.	REVISIONS	DATE	INT.
A	REMOVED SUB-ASSEMBLY NOTE P/N 73876	02-02-16	RAS
B	PN 329NOV** CHANGED TO PN 329NDN**	06-27-16	MDL
C	3844-012 WAS 3844-003	11-01-16	JMM
D	UPDATED PART # FROM 3844-006	09-01-17	RAS
E	UPDATED PART # FROM 111210514	06-12-17	RAS



TOLERANCE UNLESS OTHERWISE SPECIFIED:  
 MOLDED PRODUCTS ONLY: ±0.30"/±0.8mm  
 HARDWARE ITEMS: ±0.010"/±0.25mm  
 RADIAL DIAMETERS TO BE MEASURED OVER MANDRELS,  
 RING GAGES OR PIN GAGES OF SUITABLE SIZE

INCLUDES P-16808110001 BLUE DOT MULTI LABEL, 1 PER CONTAINER  
 RECOMMENDED MAXIMUM TORQUE: 3/8-16 NUT 144 IN./LBS.

AMPERAGE RATING: 160A @ 12VDC (8 X 20 AMP CIRCUITS)  
 VOLTAGE RATING: 48 VOLTS DC MAX.  
 TEMPERATURE RISE AT LOAD: 52 F [27.9 C]  
 BASE MATERIAL: GLASS-REINFORCED NYLON  
 BASE MATERIAL U.L. RATING: 94 HB  
 VTE MATERIAL P/N: 111210514UL (E)



**VTE Incorporated**  
 5437 Robinson Road, P.O. Box 790  
 Pellston, Michigan 49769  
 Telephone: 1-800-527-9256, 231-539-8000  
 FAX: 231-539-0914

REF:	DATE:	DRN BY: BRH	WEIGHT:
CUSTOMER DIMS	04-06-10	CHK'D BY: BRH	
TITLE: 3/8" POWER DISTRIBUTION POST W/INSULATORS			SCALE:
MATERIAL:		PART NO.	
COLOR:	DRG CLASS REV E	77837FN14	