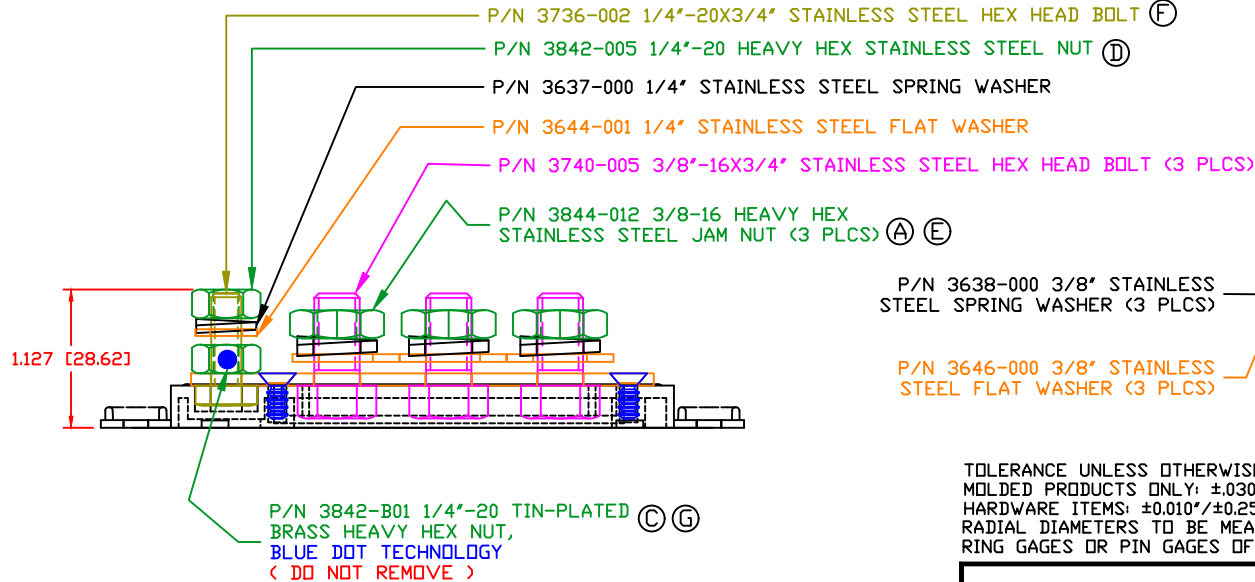
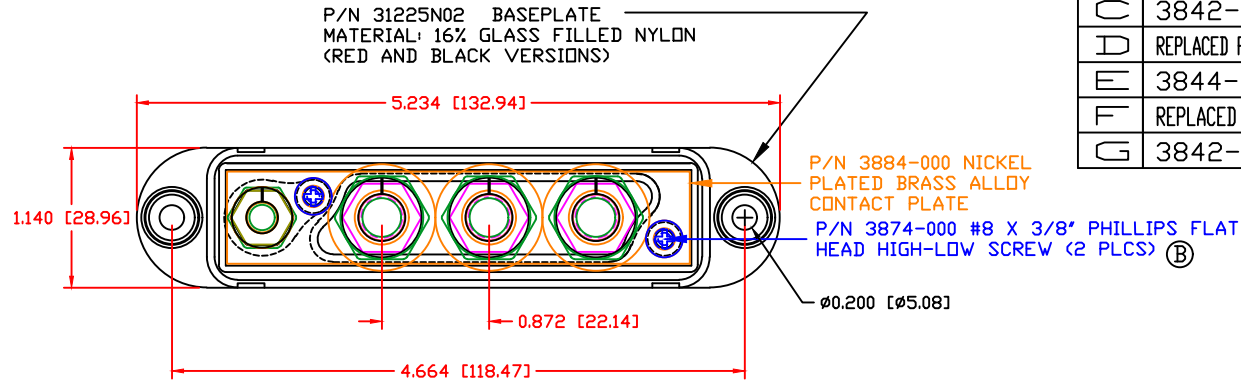


THE INFORMATION CONTAINED IN THIS DRAWING IS THE SOLE PROPERTY OF VTE INCORPORATED. ANY REPRODUCTION IN PART OR WHOLE WITHOUT THE WRITTEN PERMISSION OF VTE INCORPORATED IS PROHIBITED. VTE MAKES NO WARRANTY, EXPRESSED OR IMPLIED, AS TO THE SUITABILITY OF A PRODUCT FOR ANY INTENDED USE. THE CUSTOMER SHALL BEAR THE SOLE RESPONSIBILITY OF DETERMINING THE SUITABILITY OF ANY VTE PRODUCT FOR ITS END USE.


LTR.	REVISIONS	DATE	INT.
A	3844-003 WAS 3844	06-16-06	BRH
B	3874-000 WAS 3873-000	07-12-06	BRH
C	3842-001 WAS 3842-002	08-14-06	BRH
D	REPLACED P/N 3842-002 WITH P/N 3842-005	03-28-06	RAS
E	3844-012 WAS 3844-003	11-01-16	JMM
F	REPLACED P/N 3736-005 WITH 3736-002	2-14-17	RAS
G	3842-B01 WAS 3842-001	06-14-17	JMM



TOLERANCE UNLESS OTHERWISE SPECIFIED:  
 MOLDED PRODUCTS ONLY: ±0.30"/±0.8mm  
 HARDWARE ITEMS: ±0.010"/±0.25mm  
 RADIAL DIAMETERS TO BE MEASURED OVER MANDRELS,  
 RING GAGES OR PIN GAGES OF SUITABLE SIZE

MATERIAL PART NO: 7111210502  
 MATERIAL: GLASS FILLED NYLON  
 VENDOR PART NO: HYLON N2015 HL NAT  
 SPECIFIC GRAVITY: 1.23  
 MELTING TEMP: 515 F [268 C]  
 U.L. RATING: UL 94 HB

INCLUDES P-16808110001 BLUE DOT MULTI LABEL, 1 PER CONTAINER  
 MAXIMUM AMPERAGE: 210 AMPS @12VDC  
 RECOMMENDED MAX FASTENER TORQUE: 3/8"-16 - 180 IN./LBS.  
 1/4"-20 - 60 IN./LBS.  
 ( ANTI-SEIZE RECOMMENDED )



VTE Incorporated

5437 Robinson Road, P.O. Box 790  
 Pellston, Michigan 49769  
 Telephone: 1-800-527-9256, 231-539-8000  
 FAX: 231-539-0914

REF:	DATE:	DRN BY:	BRH	WEIGHT:
CUSTOMER DIMS	01-20-06	CHK'D BY:	BRH	
TITLE:			3/8" 4- POINT CONTACT PLATE	
MATERIAL:			GLASS FILLED NYLON	
COLOR:			RED	
DRG CLASS:			REV G	
PART NO:			7704N0N02	