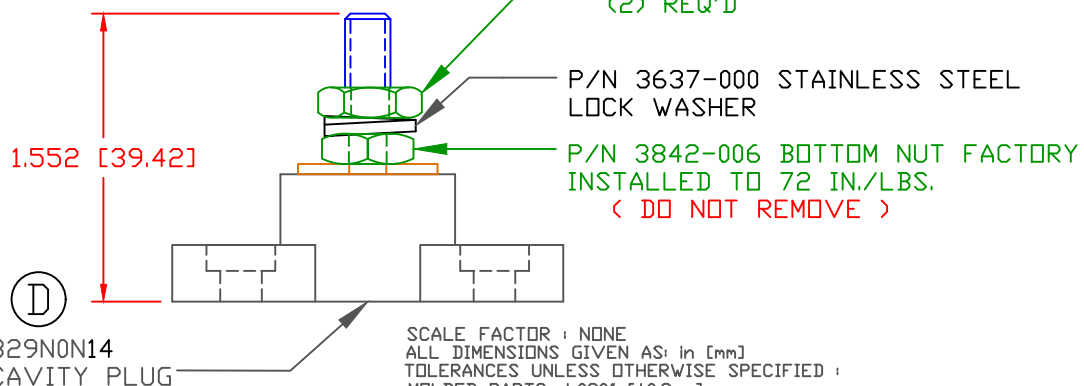
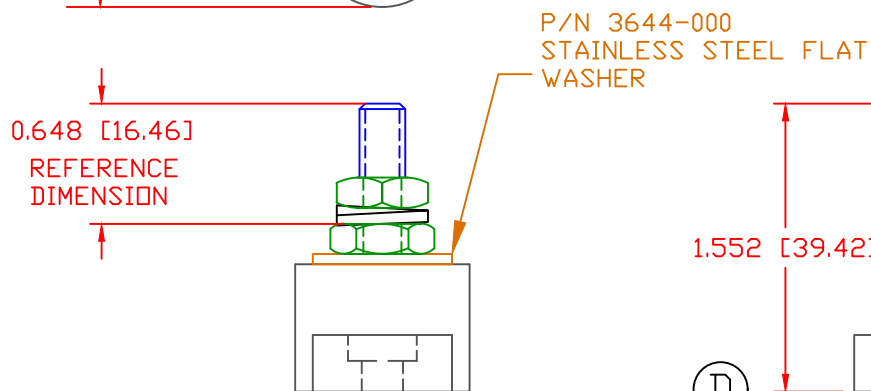
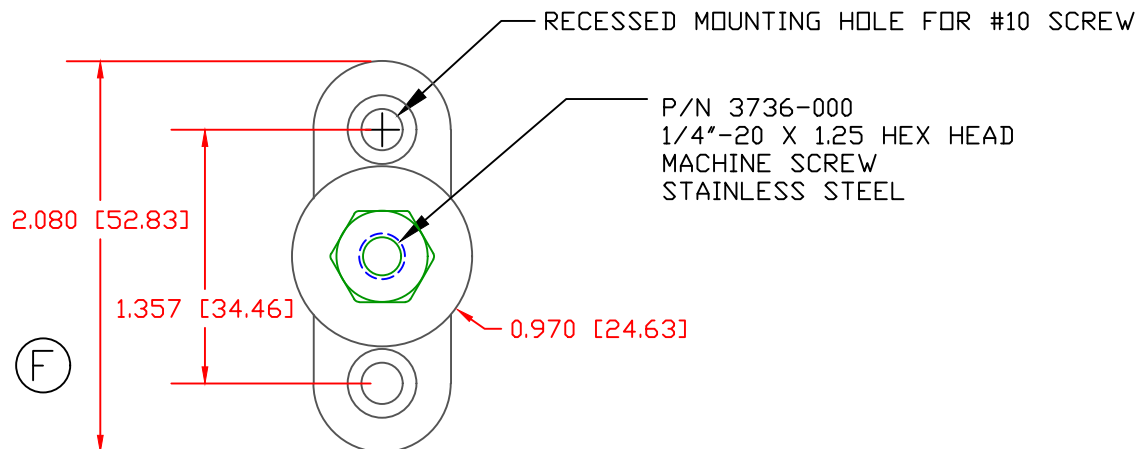


THE INFORMATION CONTAINED IN THIS DRAWING IS THE SOLE PROPERTY OF VTE INCORPORATED. ANY REPRODUCTION IN PART OR WHOLE WITHOUT THE WRITTEN PERMISSION OF VTE INCORPORATED IS PROHIBITED. VTE MAKES NO WARRANTY, EXPRESSED OR IMPLIED, AS TO THE SUITABILITY OF A PRODUCT FOR ANY INTENDED USE. THE CUSTOMER SHALL BEAR THE SOLE RESPONSIBILITY OF DETERMINING THE SUITABILITY OF ANY VTE PRODUCT FOR ITS END USE.

LTR.	REVISIONS	DATE	INT.
A	3842-003 WAS 3842	5-19-05	BRH
B	ADDED OPTIONAL CONSTRUCTION NOTE	4-04-06	BRH
C	REMOVED OPTIONAL CONSTRUCTION NOTE	10-20-15	RAS
D	PN 329NDV** CHANGED TO 329NON**	6-23-16	MDL
E	3842-006 WAS 3842-003	3-24-17	JMM
F	UPDATED AND ADDED DIMENSIONS FOR MOUNTING	7-31-17	RAS
G	REPLACED CURRENT LIMITS WITH TEMPERATURE LIMIT	10-12-18	RAS



SCALE FACTOR : NONE
ALL DIMENSIONS GIVEN AS: in [mm]
TOLERANCES UNLESS OTHERWISE SPECIFIED :
MOLDED PARTS: ±0.30" [±0.8mm]
HARDWARE ITEMS: ±0.10" [±0.25mm]

327N2N14
MOLDED HOUSING

MATERIAL PART NO:
MATERIAL:
VENDOR PART NO:
SPECIFIC GRAVITY:
MELTING TEMP:
U.L. RATING:

1111210514UL
GLASS FILLED NYLON
HYLON N2015 HL BK
1.23
515 F [268 C]
UL 94 HB

(G) OVERALL ASSEMBLY TEMPERATURE NOT TO EXCEED 140 DEGREES F
(60 DEGREES C)

MAXIMUM RECOMMENDED TORQUE: 60 IN./LBS.

DO NOT SCALE

 VTE Incorporated
5437 Robinson Road, P.O. Box 790
Pellston, Michigan 49769
Telephone: 1-800-527-9256, 231-539-8000
FAX: 231-539-0914

REF:	DATE: 09APR03	DRN BY: BRH CHK'D BY: BRH	WEIGHT:
TITLE: 1/4" SMALL JUNCTION STUD			SCALE:
MATERIAL:		PART NO. 77025N14	
COLOR: BLACK	DRG CLASS REV G		