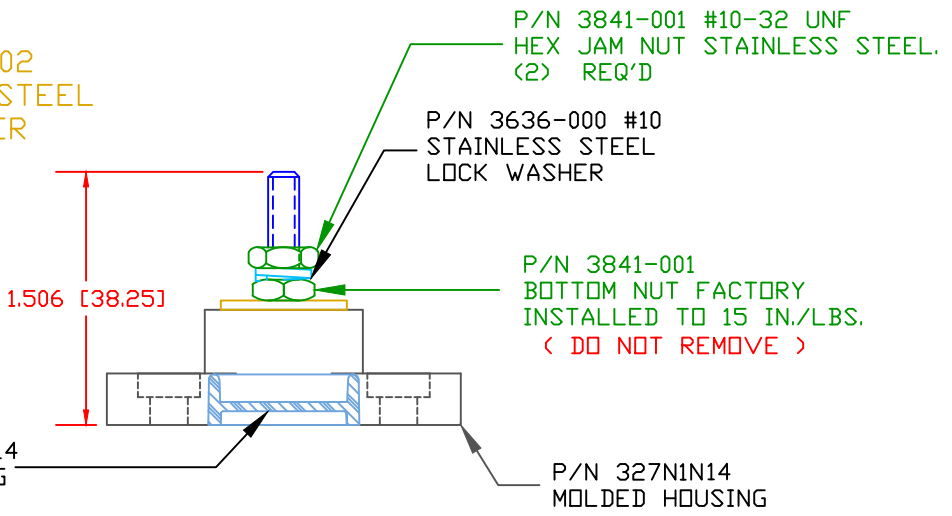
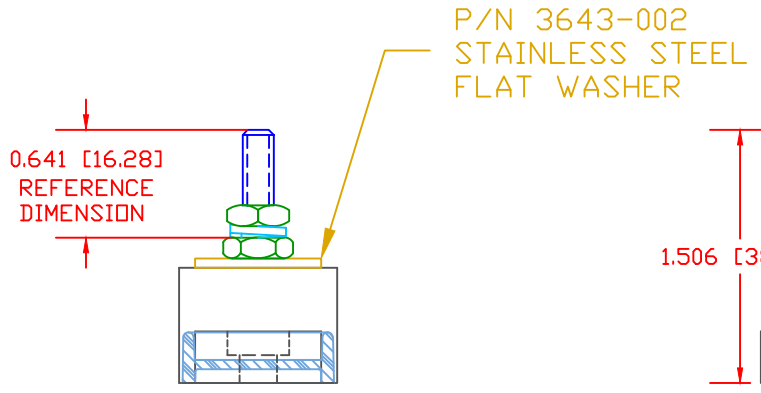
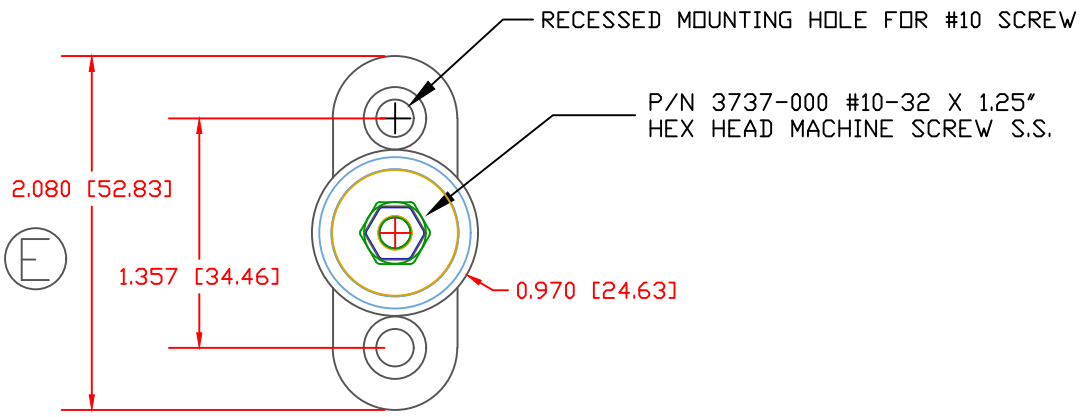


THE INFORMATION CONTAINED IN THIS DRAWING IS THE SOLE PROPERTY OF VTE INCORPORATED. ANY REPRODUCTION IN PART OR WHOLE WITHOUT THE WRITTEN PERMISSION OF VTE INCORPORATED IS PROHIBITED. VTE MAKES NO WARRANTY, EXPRESSED OR IMPLIED, AS TO THE SUITABILITY OF A PRODUCT FOR ANY INTENDED USE. THE CUSTOMER SHALL BEAR THE SOLE RESPONSIBILITY OF DETERMINING THE SUITABILITY OF ANY VTE PRODUCT FOR ITS END USE.

LTR.	REVISIONS	DATE	INT.
A	ADDED OPTIONAL CONSTRUCTION NOTE AND -000 SUFFIXES TO COMPONENT P/N'S	4-04-06	BRH
B	ADDED OPTIONAL CONSTRUCTION NOTE FOR P/N 3643-002	4-28-14	BRH
C	REMOVED OPTIONAL CONSTRUCTION NOTE FOR P/N 3643-002	10-20-15	RAS
D	PN 329NOV** CHNAGED TO PN 329NON**	6-23-16	MDL
E	UPDATED AND ADDED DIMENSIONS FOR MOUNTING	7-31-17	RAS
F	REPLACED CURRENT LIMITS WITH TEMPERATURE LIMIT	10-12-18	RAS



SCALE FACTOR : NONE
 ALL DIMENSIONS GIVEN AS: in [mm]
 TOLERANCES UNLESS OTHERWISE SPECIFIED :
 MOLDED PARTS: ±0.030" [±0.8mm]
 HARDWARE ITEMS: ±.010" [±0.25mm]

MATERIAL PART NO: 1111210514UL
 MATERIAL: GLASS FILLED NYLON
 VENDOR PART NO: HYLON N2015 HL BK
 SPECIFIC GRAVITY: 1.23
 MELTING TEMP: 515 F [268 C]
 U.L. RATING: UL 94 HB

VTE Incorporated
 5437 Robinson Road, P.O. Box 790
 Pellston, Michigan 49769
 Telephone: 1-800-527-9256, 231-539-8000
 FAX: 231-539-0914

(F) OVERALL ASSEMBLY TEMPERATURE NOT TO EXCEED 140 DEGREES F (60 DEGREES C)
 MAXIMUM RECOMMENDED TORQUE: 10 IN./LBS

REF:	DATE: 12-20-03	DRN BY: BRH CHK'D BY: BRH	WEIGHT:
TITLE: POST TYPE JUNCTION BLOCK		SCALE:	
MATERIAL:		PART NO. 77010N14	
COLOR: BLACK	DRG CLASS REV F		