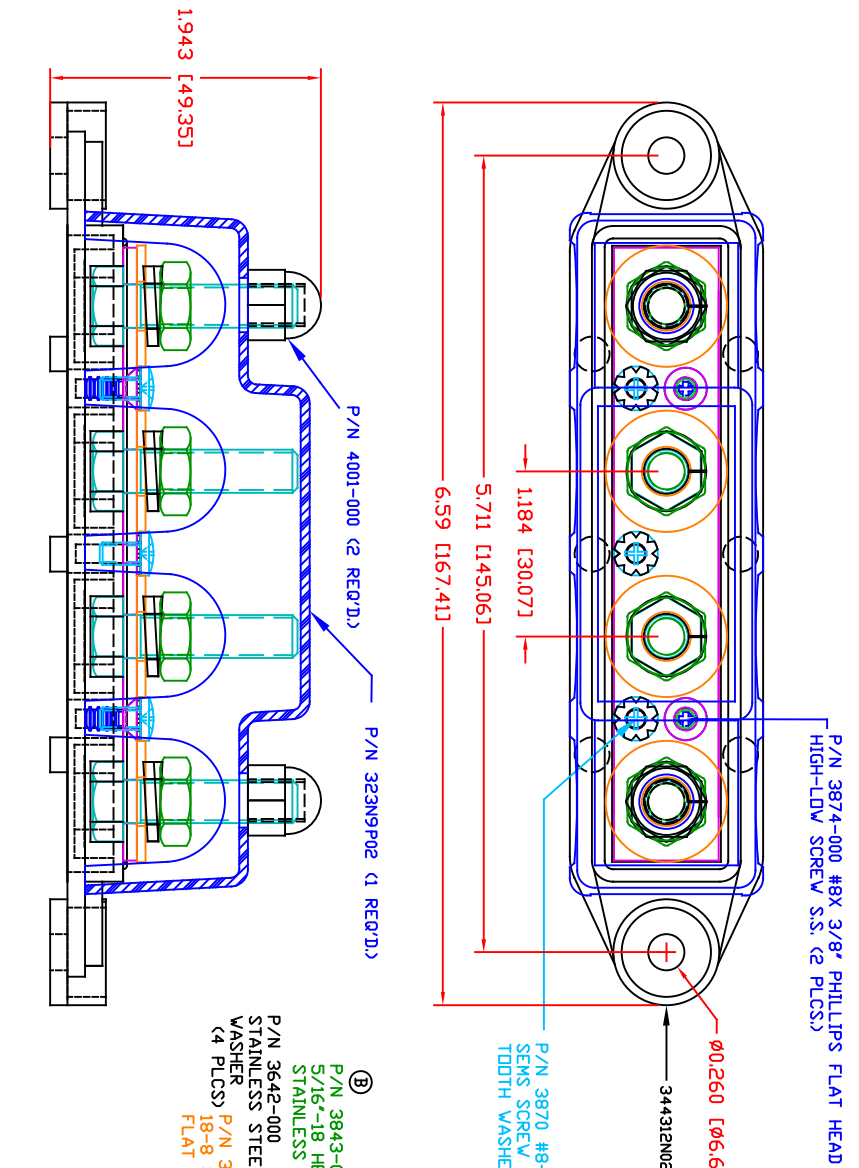
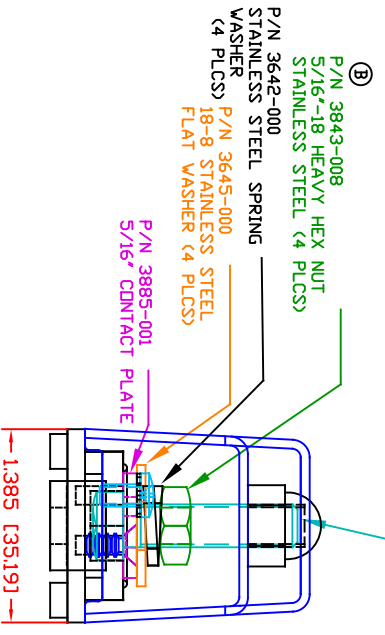


THE INFORMATION CONTAINED IN THIS DRAWING IS THE SOLE PROPERTY OF VTE INCORPORATED. ANY REPRODUCTION IN PART OR WHOLE WITHOUT THE WRITTEN PERMISSION OF VTE INCORPORATED IS PROHIBITED. VTE MAKES NO WARRANTY, EXPRESSED OR IMPLIED, AS TO THE SUITABILITY OF A PRODUCT FOR ANY INTENDED USE. THE CUSTOMER SHALL BEAR THE SOLE RESPONSIBILITY OF DETERMINING THE SUITABILITY OF ANY VTE PRODUCT FOR ITS END USE.



LTR	REVISIONS	DATE	INT.
A	REMOVED BLUE DOT INSTRUCTION	10-21-15	RAS
B	REPLACED P/N 3843-002 WITH P/N 3843-008	03-28-16	RAS
C	UPDATED CURRENT RATING	06-02-16	RAS
D	UPDATED MAXIMUM AMPERAGE RATING	01-30-17	RAS
E	UPDATED "GALLING" STATEMENT	9-18-23	RAS

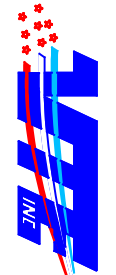


SCALE FACTOR : NONE  
 ALL DIMENSIONS GIVEN AS: [in, mm]  
 TOLERANCES UNLESS OTHERWISE SPECIFIED :  
 MOLDED PARTS: ±0.30" [±0.8mm]  
 HARDWARE ITEMS: ±.010" [±0.25mm]

MATERIAL PART NO: 711210502  
 MATERIAL: GLASS FILLED NYLON  
 VENDOR PART NO: HYLON N2015 HL NAT  
 SPECIFIC GRAVITY: 1.23  
 MELTING TEMP: 515 F [268 C]  
 UL RATING: UL 94 HB

INCLUDES COVER P/N 723N5 AND ASSEMBLY 74312N0N02

MAXIMUM RECOMMENDED FASTENER TORQUE: 12 FT./LBS. (144 IN./LBS.)  
 (IF WARRANTED, DIELECTRIC GREASE CAN BE USED TO PREVENT GALLING)  
 MAXIMUM RECOMMENDED AMPERAGE: 250 AMPS @ 12VDC



**VTE Incorporated**  
 5437 Robinson Road, P.O. Box 790  
 Pellston, Michigan 49769  
 Telephone: 1-800-527-9256, 231-539-8000  
 FAX: 231-539-0914

REF.	DATE	DRN BY:	BRH	WEIGHT:
CUSTOMER DIMS	08-16-10	CHK'D BY:	BRH	
TITLE:	BUSBAR, 4 POINT, 5/16" W/ COVER		SCALE:	NONE
MATERIAL:	GLASS-FILLED NYLON		PART NO:	74312N1N02
COLOR:	RED	DRG CLASS	REV E	