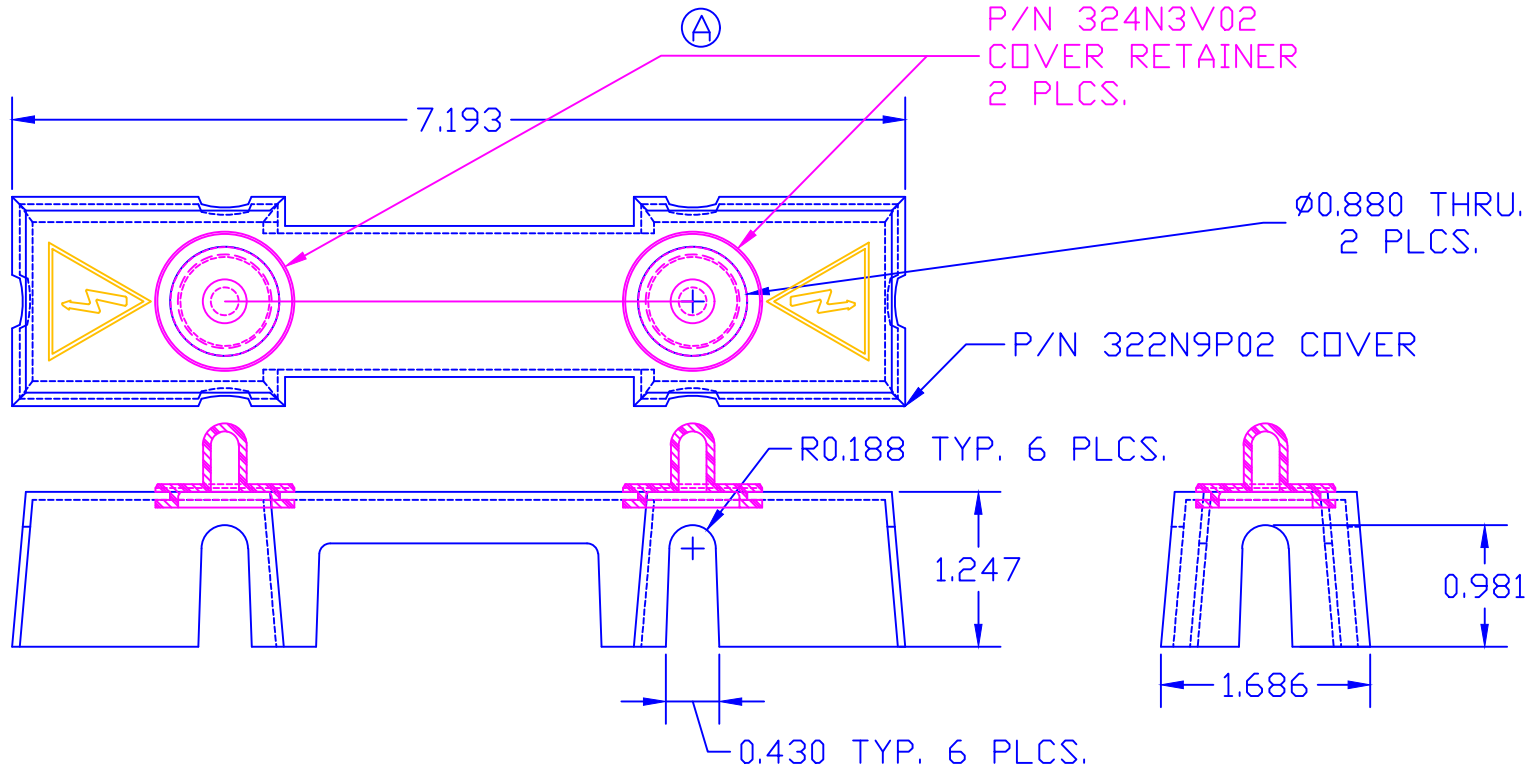


THE INFORMATION CONTAINED IN THIS DRAWING IS THE SOLE PROPERTY OF VTE INCORPORATED. ANY REPRODUCTION IN PART OR WHOLE WITHOUT THE WRITTEN PERMISSION OF VTE INCORPORATED IS PROHIBITED.

LTR.	REVISIONS	DATE
△	ADDED SHOCK SYMBOL 2 PLCS.	26JAN07



TOLERANCE UNLESS OTHERWISE SPECIFIED:  
 MOLDED PRODUCTS ONLY:  $\pm 0.30^\circ / \pm 0.8\text{mm}$   
 HARDWARE ITEMS:  $\pm 0.010^\circ / \pm 0.25\text{mm}$   
 RADIAL DIAMETERS TO BE MEASURED OVER MANDRELS,  
 RING GAGES OR PIN GAGES OF SUITABLE SIZE

Material:  
 VTE Material Part No:  
 Max. Operating Temp:  
 Durometer:  
 Specific Gravity:  
 Ult. Elongation %:  
 Modulus PSI:  
 Tensile Strength PSI:  
 Dielectric Strength, v./ml  
 MEETS:

Polypropylene  
 7209750302  
 550 F  
 110 R-Scale  
 1.13  
 2.5  
 Not Tested  
 9500  
 Not Tested  
 UL94HB



VTE Incorporated  
 5437 Robinson Road, P.O. Box 790  
 Pellston, Michigan 49769  
 Telephone: 1-800-527-9256, 231-539-8000  
 FAX: 231-539-0914

REF:	DATE:	DRN BY: BRH	WEIGHT:
724 SERIES	12OCT06	CHK'D BY: BRH	
TITLE: 10 POINT BUSBAR COVER			SCALE: NONE
MATERIAL:		PART NO.	
COLOR: RED	DRG CLASS REV A	724N3P02	