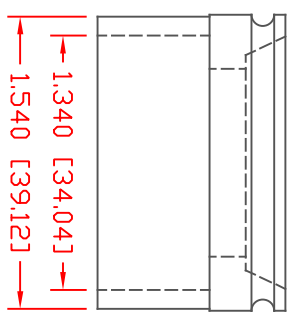
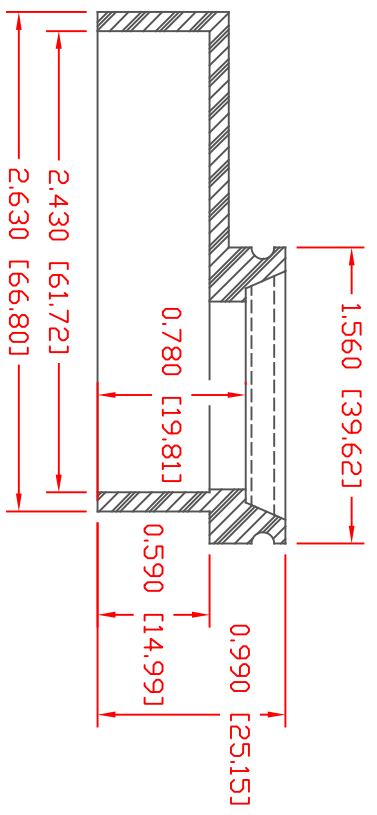
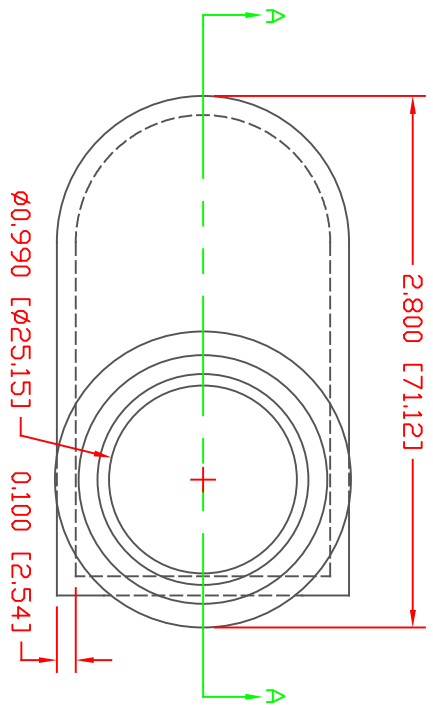


PROPRIETARY RIGHTS ARE CLAIMED FOR THE MATERIAL DISCLOSED IN THIS DRAWING.

TYP. WALL THICKNESS = 2.5



UNIVERSAL TERMINAL

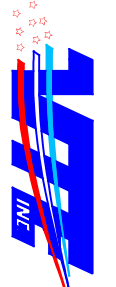
SECTION A-A

TOLERANCE UNLESS OTHERWISE SPECIFIED: ±.030"/±0.8mm  
 RADIAL DIAMETERS TO BE MEASURED OVER MANDRELS,  
 RING GAGES OR PIN GAGES OF SUITABLE SIZE

VTE Material Part No:  
 Material:  
 Material Part No  
 Max. Operating Temp:  
 Shore Durometer  
 Specific Gravity:  
 Ult. Elongation %:  
 Brittle Temp:  
 Tensile Strength PSI:  
 U.L. Rating:  
 MEETS:

1101650114  
 BLACK PVC  
 9812-65  
 105 C  
 "A" 10 SEC. 67/63  
 1.33  
 520  
 -36 C  
 1563 PSI  
 94 V2  
 FMVSS.302

LTR	REVISIONS	DATE
➤	*****	00-00-98



VTE Incorporated  
 5437 Robinson Road, P.O. Box 790  
 Pellston, Michigan 49769  
 Telephone: 1-800-527-9256, 231-539-8000  
 FAX: 231-539-0914

REF:	DATE:	DRN BY:	JC	WEIGHT:
	4-8-98	CHK'D BY:		.044 LBS. / 20 G.
TITLE: MARINE BATTERY TERMINAL BDDT BASE				
MATERIAL:		PART NO:		
CULDR:		632NDV14		