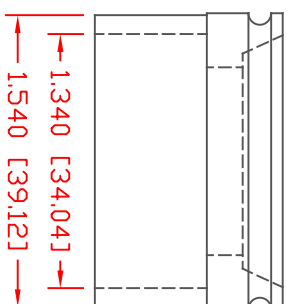
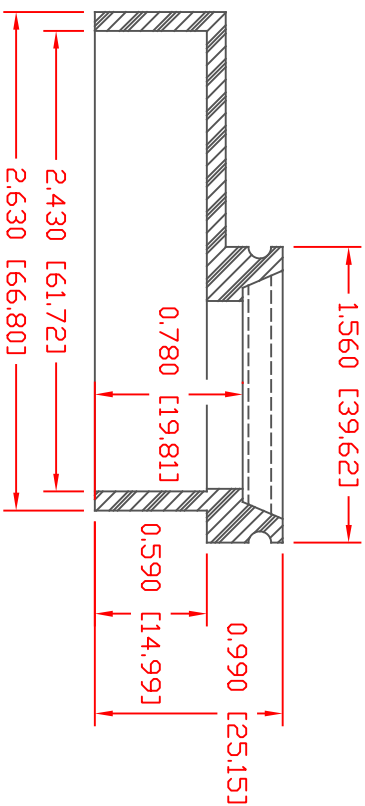
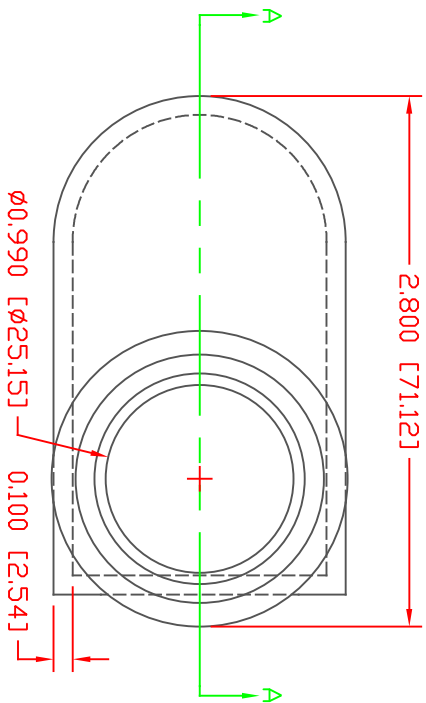


PROPRIETARY RIGHTS ARE CLAIMED FOR THE MATERIAL DISCLOSED IN THIS DRAWING.

TYP. WALL THICKNESS = 2.5



UNIVERSAL TERMINAL

SECTION A-A

TOLERANCE UNLESS OTHERWISE SPECIFIED: ±0.30°/±0.8mm  
 RADIAL DIAMETERS TO BE MEASURED OVER MANDRELS,  
 RING GAGES OR PIN GAGES OF SUITABLE SIZE

VTE Material Part No:

1101650102

Material:

RED PVC

Material Part No:

9812-65-RED683

Max. Operating Temp:

105 C

Shore Durometer:

"A" 10 SEC. 67/62

Specific Gravity:

1.34

Ult. Elongation %:

475

Brittle Temp:

-44 C

Tensile Strength PSI:

1547


U.L. Rating:

94 V2

MEETS:

FMVSS.302

LTR.	REVISIONS	DATE
✕	*****	00-00-98



VTE Incorporated  
 5437 Robinson Road, P.O. Box 790  
 Pellston, Michigan 49769  
 Telephone: 1-800-527-9256, 231-539-8000  
 FAX: 231-539-0914

REF:	DATE:	DRN BY:	JC	WEIGHT:
	4-8-98	CHK'D BY:		.044 LBS. / 20 G.
TITLE: MARINE BATTERY TERMINAL BOOT BASE				
MATERIAL:		PART NO.		
COLDR:		632NDV02		