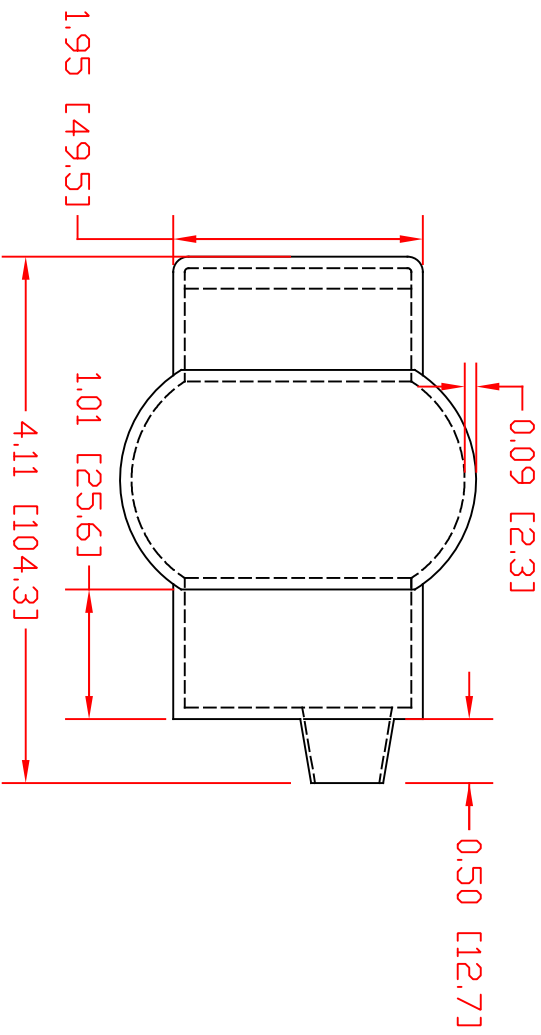
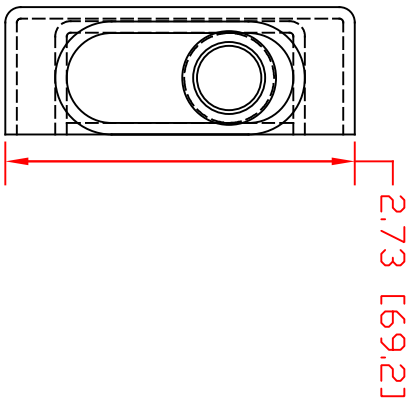
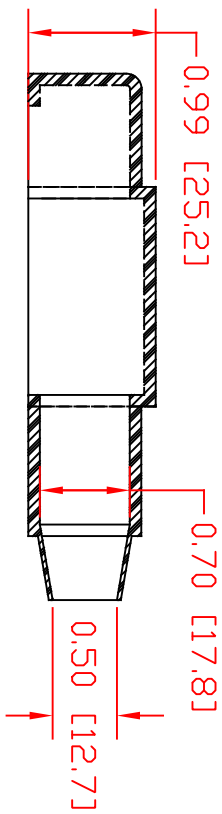


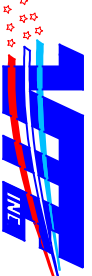
THE INFORMATION CONTAINED IN THIS DRAWING IS THE SOLE PROPERTY OF VTE INCORPORATED. ANY REPRODUCTION IN PART OR WHOLE WITHOUT THE WRITTEN PERMISSION OF VTE INCORPORATED IS PROHIBITED.

ITR	REVISIONS	DATE



TOLERANCE UNLESS OTHERWISE SPECIFIED: ±0.30/±0.8mm
RADIAL DIAMETERS TO BE MEASURED OVER MANDRELS,
RING GAGES OR PIN GAGES OF SUITABLE SIZE

VTE Material Part No: 1101650102
 Material: RED PVC
 Material Part No: 9812-65-RED683
 Max. Operating Temp: 105 C
 Shore Durometer "A" 10 SEC. 67/62
 Specific Gravity: 1.34
 Ult. Elongation %: 475
 Brittle Temp: -44 C
 Tensile Strength PSI: 1547
 U.L. Rating: 94 V/2
 MEETS: FMVSS.302

		VTE Incorporated 5437 Robinson Road, P.O. Box 790 Pellston, Michigan 49769 Telephone: 1-800-527-9256, 231-539-8000 FAX: 231-539-0914	
		REF: DK26900-3	DATE: 06-JUN-01
TITLE: BATTERY TERMINAL INSULATOR		CHK'D BY: BRH	SCALE:
MATERIAL: PVC	PART NO: 466R3V02		
COLOR: RED	DRG CLASS		