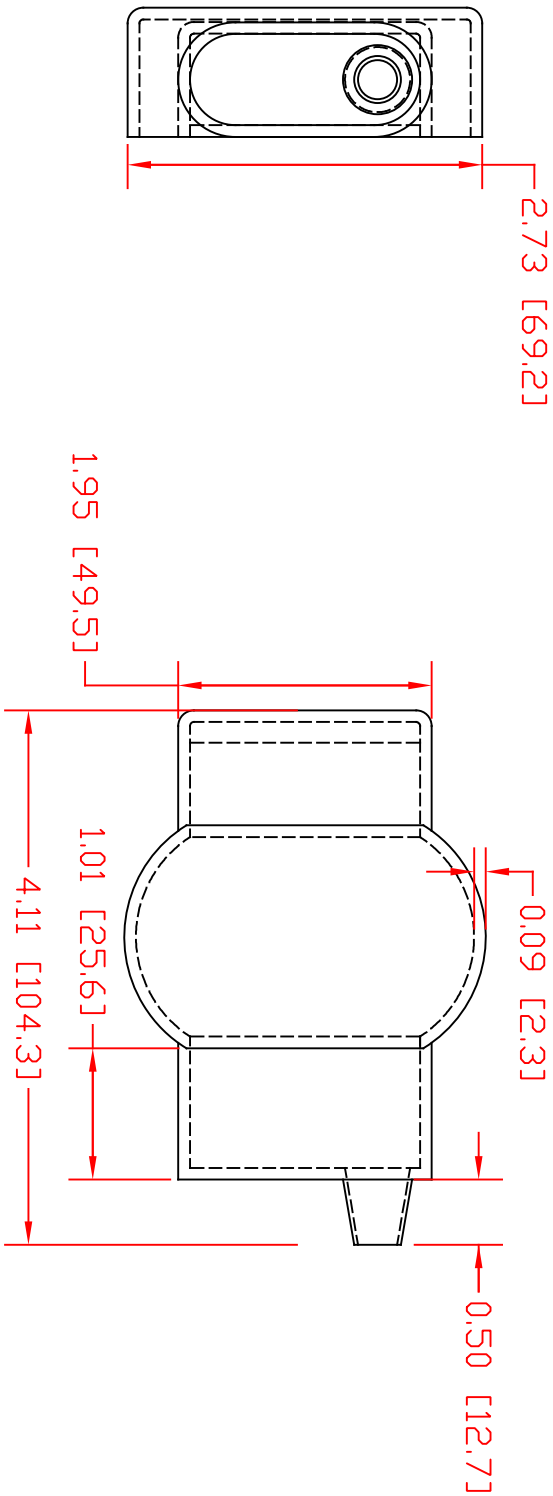
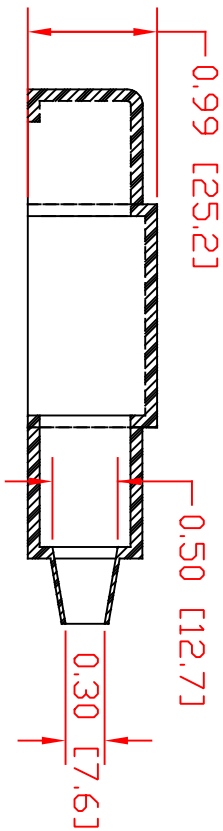
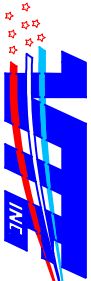


THE INFORMATION CONTAINED IN THIS DRAWING IS THE SOLE PROPERTY OF VTE INCORPORATED. ANY REPRODUCTION IN PART OR WHOLE WITHOUT THE WRITTEN PERMISSION OF VTE INCORPORATED IS PROHIBITED.

LT#	REVISIONS	DATE



TOLERANCE UNLESS OTHERWISE SPECIFIED: ±.030"/±0.8mm
RADIAL DIAMETERS TO BE MEASURED OVER MANDRELS,
RING GAGES OR PIN GAGES OF SUITABLE SIZE



VTE Incorporated
5437 Robinson Road, P.O. Box 790
Pellston, Michigan 49769
Telephone: 1-800-527-9256, 231-539-8000
FAX: 231-539-0914

VTE Material Part No: 1101650102
Material: RED PVC
Material Part No: 9812-65-RED683
Max. Operating Temp: 105 C
Shore Durometer: "A" 10 SEC. 67/62
Specific Gravity: 1.34
Ult. Elongation %: 475
Brittle Temp: -44 C
Tensile Strength PSI: 1547 PSI
U.L. Rating: 94 V2
MEETS: FMVSS.302

REF: DK26900-3	DATE: 06-JUN-01	DRN BY: BRH	BRH	WEIGHT:
TITLE: BATTERY TERMINAL INSULATOR	CHK'D BY: BRH	SCALE:		
MATERIAL: PVC	DRG CLASS	PART NO.	466R2V02	
CULDR: RED				