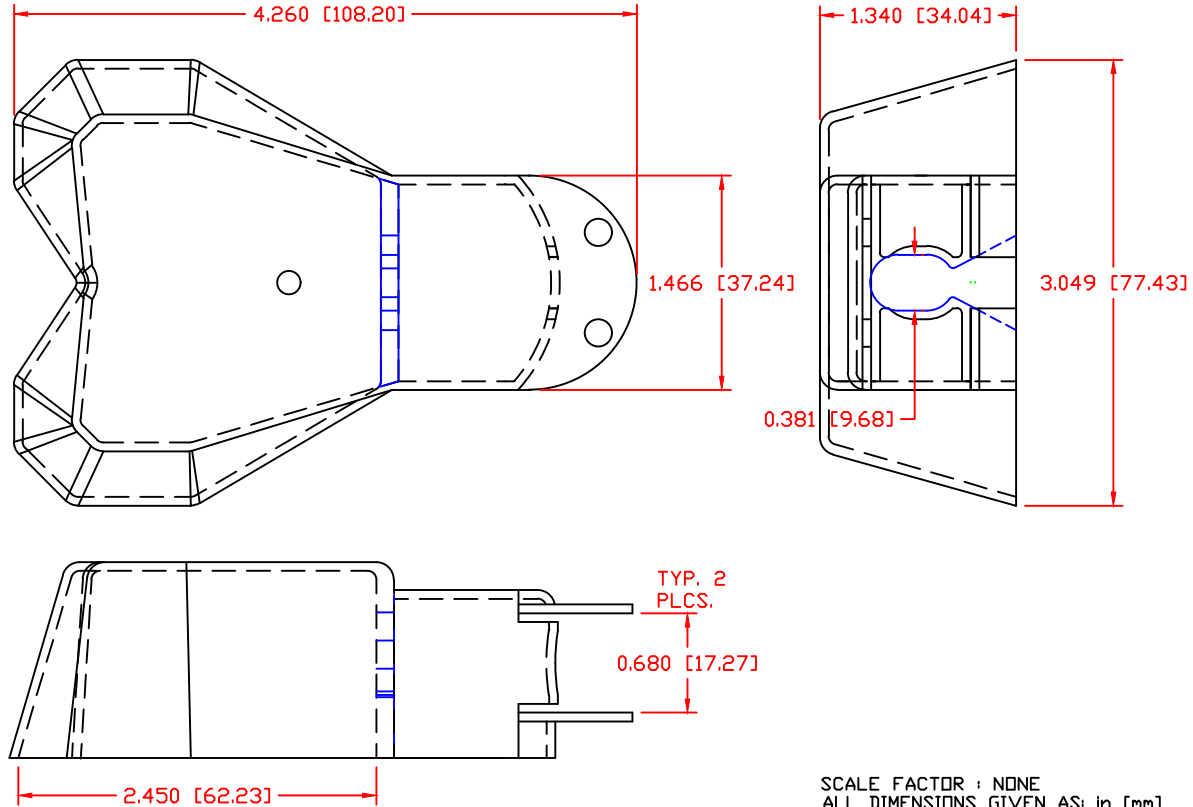


THE INFORMATION CONTAINED IN THIS DRAWING IS THE SOLE PROPERTY OF VTE INCORPORATED. ANY REPRODUCTION IN PART OR WHOLE WITHOUT THE WRITTEN PERMISSION OF VTE INCORPORATED IS PROHIBITED. VTE MAKES NO WARRANTY, EXPRESSED OR IMPLIED, AS TO THE SUITABILITY OF A PRODUCT FOR ANY INTENDED USE. THE CUSTOMER SHALL BEAR THE SOLE RESPONSIBILITY OF DETERMINING THE SUITABILITY OF ANY VTE PRODUCT FOR ITS END USE.


LTR.	REVISIONS	DATE	INT.
A	INCREASE FLAP TO .060" THICK	10-18-99	BRH
B	INCREASED GRIP HEIGHT, ADDED INSPECTION PORT AND CABLE TIE HOLES	11-30-99	BRH



SCALE FACTOR : NONE  
 ALL DIMENSIONS GIVEN AS: in [mm]  
 TOLERANCES UNLESS OTHERWISE SPECIFIED :  
 MOLDED PARTS: ±.030" [±0.8mm]  
 ALL ANGLES ARE ± 1 DEGREE

MATERIAL PART NO:	1101900102
MATERIAL:	PVC
VENDOR PART NO:	9812-95-RED 683
SHORE DUROMETER:	"A" 10 SEC. 95
SPECIFIC GRAVITY:	1.49
ULT. ELONGATION %:	200
MELTING TEMP:	345-365 F [174-185 C]
TENSILE STRENGTH PSI:	2100
DIELECTRIC STRENGTH, V./mil	438
U.L. RATING:	V2

DO NOT SCALE

		<b>VTE Incorporated</b> 5437 Robinson Road, P.O. Box 790 Pellston, Michigan 49769 Telephone: 1-800-527-9256, 231-539-8000 FAX: 231-539-0914			
		REF:	DATE:	DRN BY:	BRH
CUSTOMER DIMS	10-13-99	CHK'D BY:	BRH	071 LBS. / 32.3 G.	
TITLE: L-POST TERMINAL COVER					
MATERIAL: PVC		PART NO.		439N5V02	
COLOR: RED	DRG CLASS REV B				