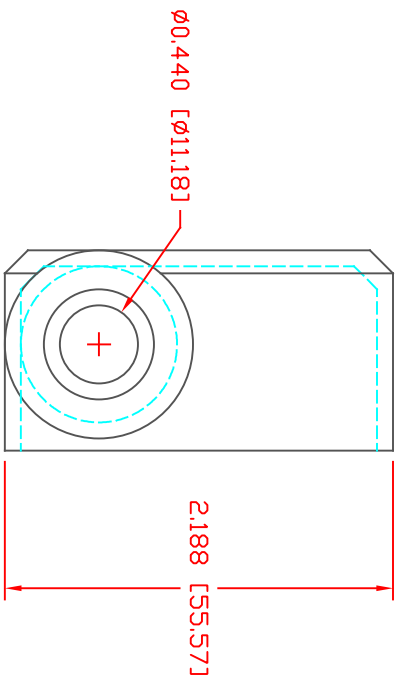
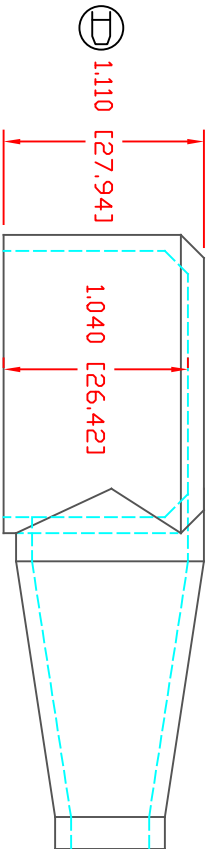
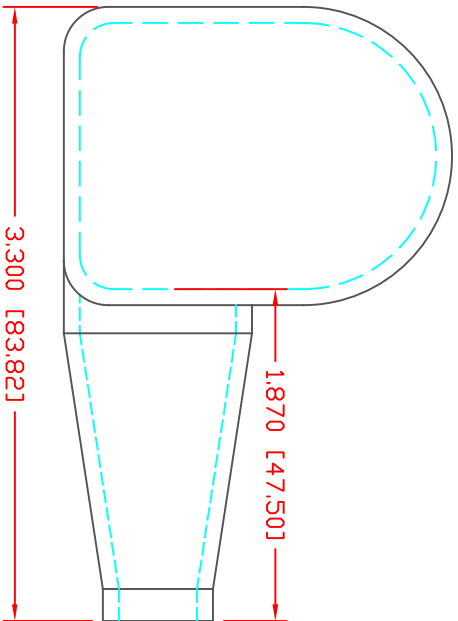


THE INFORMATION CONTAINED IN THIS DRAWING IS THE SOLE PROPERTY OF VTE INCORPORATED. ANY REPRODUCTION IN PART OR WHOLE WITHOUT THE WRITTEN PERMISSION OF VTE INCORPORATED IS PROHIBITED. VTE MAKES NO WARRANTY, EXPRESSED OR IMPLIED, AS TO THE SUITABILITY OF A PRODUCT FOR ANY INTENDED USE. THE CUSTOMER SHALL BEAR THE SOLE RESPONSIBILITY OF DETERMINING THE SUITABILITY OF ANY VTE PRODUCT FOR ITS END USE.

LTR	REVISIONS	DATE	INT.
A	REVISED TO AGREE WITH PART AS MANUFACTURED	02-04-15	BRH
B	UPDATED MATERIAL INFORMATION	8-02-22	RAS
C	3.300 [83.82] WAS 3.458 [87.84]	12-11-23	RAS
D	1.110 [27.94] WAS 1.130 [28.70]	12-11-23	RAS




TYP. WALL THICKNESS = .090" [2.3]



VTE PART NO: 1101650114
 MATERIAL: PVC
 VENDDR PART NO: 9812-65-BLACK
 SHORE DUREMETER: #A" 10 SEC. 65
 SPECIFIC GRAVITY: 1.34
 ULT. ELONGATION %: 400
 MELTING TEMP: 315-335 F [157-168 C]
 BRITTLE TEMP: -54 F [-48 C]
 TENSILE STRENGTH PSI: 1550 PSI
 DIELECTRIC STRENGTH, V./mil: 453
 V.L. RATING: V/2

ALL DIMENSIONS GIVEN AS: In [mm]
 MOLDED PARTS: ±.030" [±0.8mm]
 HARDWARE ITEMS: ±.010" [±0.25mm]



VTE Incorporated
 5437 Robinson Road, P.O. Box 790
 Pellston, Michigan 49769
 Telephone: 1-800-527-9256, 231-539-8000
 FAX: 231-539-0914

REF:	DATE:	DRN BY:	JC	WEIGHT:
CUSTOMER DIMS	03-18-98	CHK'D BY:	JC	.055 LBS [24.9 g]
TITLE:	TERMINAL INSULATOR			
MATERIAL:	PVC	PART NO:	433R5V14	
COLOR: BLACK	DRG CLASS	REV D		

DD NOT SCALE