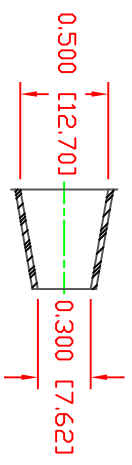
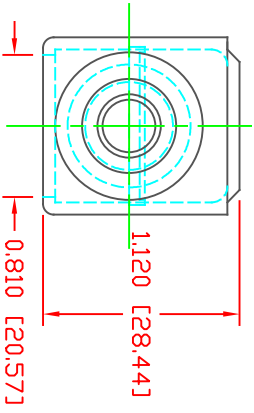
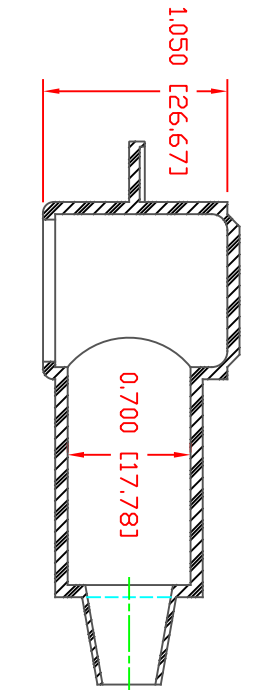


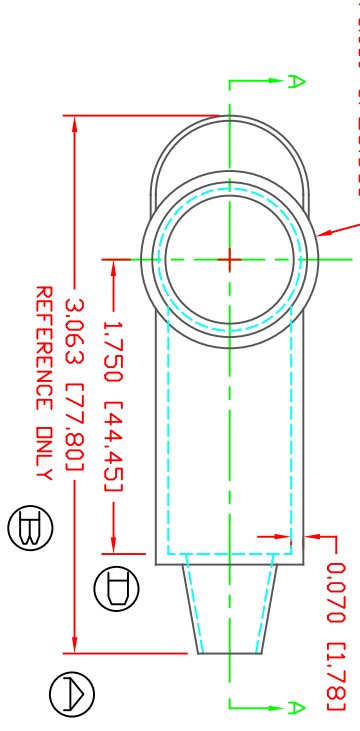
THE INFORMATION CONTAINED IN THIS DRAWING IS THE SOLE PROPERTY OF VTE INCORPORATED. ANY REPRODUCTION IN PART OR WHOLE WITHOUT THE WRITTEN PERMISSION OF VTE INCORPORATED IS PROHIBITED. VTE MAKES NO WARRANTY, EXPRESSED OR IMPLIED, AS TO THE SUITABILITY OF A PRODUCT FOR ANY INTENDED USE. THE CUSTOMER SHALL BEAR THE SOLE RESPONSIBILITY OF DETERMINING THE SUITABILITY OF ANY VTE PRODUCT FOR ITS END USE.



SECTION A-A
TYP. WALL THICKNESS = .060" [1.8]

SEAL THICKNESS = .030" [.8]

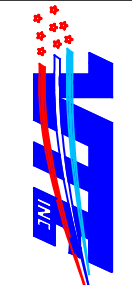
NO. 2
Cable Gages
8 - 2



SCALE FACTOR : NONE
ALL DIMENSIONS GIVEN AS: in [mm]
TOLERANCES UNLESS OTHERWISE SPECIFIED :
MOLDED PARTS: ±.030" [±0.9mm]
ALL ANGLES ARE ± 1 DEGREE

MATERIAL PART NO: 1101650102
MATERIAL: PVC
VENDOR PART NO: 9812-65-RED 683
SHORE DUREMETER: "A" 10 SEC. 65
SPECIFIC GRAVITY: 1.34
ULT. ELONGATION %: 400
MELTING TEMP: 315-335 F [157-168 C]
BRITTLE TEMP: -54 F [-48 C]
Tensile Strength PSI: 1550 PSI
Dielectric Strength, v./mil: 511
U.L. Rating: V2

LR	REVISIONS	DATE	INT.
A	UPDATED DIMENSION 77.8 WAS 79.7	12-09-12	JC
B	ADDED REFERENCE DIMENSION	02-25-16	RAS
C	UPDATED BLUE MATERIAL INFORMATION	08-01-22	RAS
D	1.750 [44.45] WAS 1.676 [42.57]	09-25-23	RAS



VTE Incorporated
5437 Robinson Road, P.O. Box 790
Pellston, Michigan 49769
Telephone: 1-800-927-9256, 231-539-8000
FAX: 231-539-0914

DD NOT SCALE

REF:	DATE:	DRN BY:	JC	WEIGHT:
CUSTOMER DIMS	03-24-98	CHK'D BY:	JC	.025 LBS [11.5 g]
TITLE:	TERMINAL INSULATOR CAP			
MATERIAL:	PVC	PART NO:	222E2V02	
COLOR:	RED	DRG CLASS	REV D	